

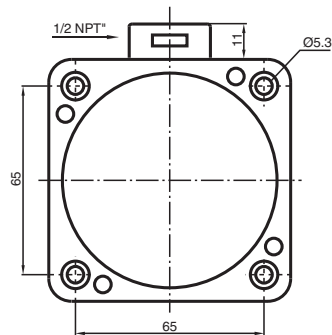
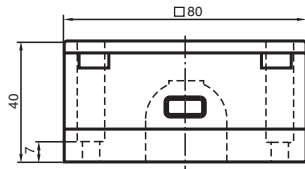


# Inductive sensor NJ40-FP-SN-P4

■ 40 mm non-flush



## Dimensions



## Technical Data

### General specifications

Switching function		Normally closed (NC)
Output type		NAMUR with safety function
Rated operating distance	$s_n$	40 mm
Installation		non-flush
Assured operating distance	$s_a$	0 ... 32.4 mm
Reduction factor $r_{AI}$		0.4
Reduction factor $r_{Cu}$		0.3
Reduction factor $r_{304}$		0.85
Output type		2-wire

### Nominal ratings

Nominal voltage	$U_o$	8.2 V ( $R_i$ approx. 1 k $\Omega$ )
Switching frequency	$f$	0 ... 100 Hz
Current consumption		

Release date: 2024-05-28 Date of issue: 2024-06-02 Filename: 70133170\_eng.pdf

## Technical Data

Measuring plate not detected	min. 3 mA
Measuring plate detected	≤ 1 mA
<b>Functional safety related parameters</b>	
MTTF <sub>d</sub>	7560 a
Mission Time (T <sub>M</sub> )	20 a
Diagnostic Coverage (DC)	0 %
<b>Compliance with standards and directives</b>	
Standard conformity	
NAMUR	EN 60947-5-6:2000 IEC 60947-5-6:1999
Standards	EN IEC 60947-5-2
<b>Approvals and certificates</b>	
IECEX approval	
Equipment protection level Gb	IECEX PTB 11.0092X
Equipment protection level Da	IECEX PTB 11.0092X
ATEX approval	
Equipment protection level Gb	PTB 00 ATEX 2049 X
Equipment protection level Da	PTB 00 ATEX 2049 X
UL approval	cULus Listed, General Purpose
KCC approval	
Hazardous Location	18-AV4BO-0478X
<b>Ambient conditions</b>	
Ambient temperature	-40 ... 100 °C (-40 ... 212 °F)
<b>Mechanical specifications</b>	
Connection type	1/2 NPT terminal compartment, wire cross-section ≤ 2.5 mm <sup>2</sup>
Core cross section	up to 2.5 mm <sup>2</sup>
Housing material	PBT/metal
Sensing face	PBT
Degree of protection	IP68
Dimensions	
Height	40 mm
Width	80 mm
Length	80 mm
<b>General information</b>	
Use in the hazardous area	see instruction manuals

## Connection

