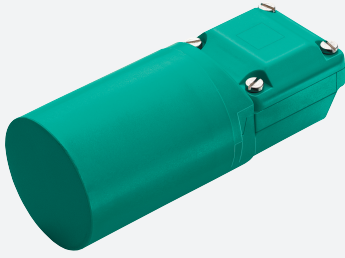


Inductive sensor

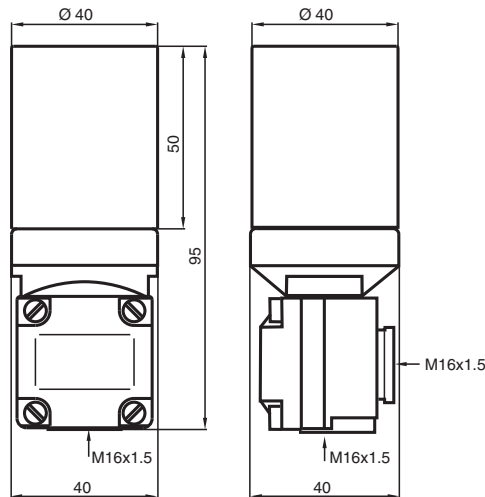
NJ20-40-N



- 20 mm non-flush
- NAMUR output



Dimensions



Technical Data

General specifications

Switching function		Normally closed (NC)
Output type		NAMUR
Rated operating distance	s_n	20 mm
Installation		non-flush
Assured operating distance	s_a	0 ... 16.2 mm
Reduction factor r_{AI}		0.4
Reduction factor r_{Cu}		0.3
Reduction factor r_{304}		0.85
Output type		2-wire

Nominal ratings

Nominal voltage	U_o	8.2 V (R_i approx. 1 k Ω)
Switching frequency	f	0 ... 100 Hz
Current consumption		
Measuring plate not detected		min. 3 mA
Measuring plate detected		\leq 1 mA

Release date: 2025-06-13 Date of issue: 2025-06-17 Filename: 70133323_eng.pdf

Technical Data

Functional safety related parameters	
MTTF _d	11400 a
Mission Time (T _M)	20 a
Diagnostic Coverage (DC)	0 %
Compliance with standards and directives	
Standard conformity	
NAMUR	EN 60947-5-6:2000 IEC 60947-5-6:1999
Standards	EN IEC 60947-5-2
Approvals and certificates	
IECEX approval	
Equipment protection level Gb	IECEX PTB 11.0037X
Equipment protection level Da	IECEX PTB 11.0037X
Equipment protection level Mb	IECEX PTB 11.0037X
ATEX approval	
Equipment protection level Gb	PTB 00 ATEX 2048 X
Equipment protection level Da	PTB 00 ATEX 2048 X
UL approval	cULus Listed, General Purpose
CCC approval	
Hazardous Location	2020322315002258
CML approval	on request
ANZEx	18.3018X
Ambient conditions	
Ambient temperature	-25 ... 100 °C (-13 ... 212 °F)
Mechanical specifications	
Connection type	terminal compartment
Core cross section	up to 2.5 mm ²
Housing material	PBT
Sensing face	PBT
Degree of protection	IP67
Dimensions	
Length	95 mm
Diameter	40 mm
General information	
Use in the hazardous area	see instruction manuals

Connection Assignment

