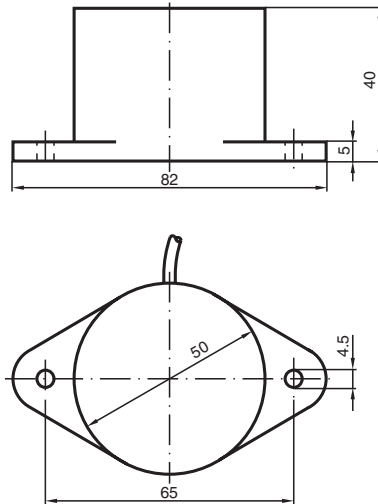


## Inductive sensor NJ25-50-N-15M

- 25 mm non-flush
- NAMUR output
- 15 m connection cable



### Dimensions



### Technical Data

#### General specifications

Switching function		Normally closed (NC)
Output type		NAMUR
Rated operating distance	$s_n$	25 mm
Installation		non-flush
Assured operating distance	$s_a$	0 ... 20.25 mm
Reduction factor $r_{Al}$		0.4
Reduction factor $r_{Cu}$		0.3
Reduction factor $r_{304}$		0.85
Output type		2-wire

#### Nominal ratings

Nominal voltage	$U_o$	8.2 V ( $R_i$ approx. 1 k $\Omega$ )
Switching frequency	$f$	0 ... 250 Hz
Current consumption		
Measuring plate not detected		min. 3 mA
Measuring plate detected		$\leq$ 1 mA

Release date: 2025-06-13 Date of issue: 2025-06-17 Filename: 70133328\_eng.pdf

## Technical Data

### Compliance with standards and directives

#### Standard conformity

NAMUR	EN 60947-5-6:2000 IEC 60947-5-6:1999
-------	---

Standards	EN IEC 60947-5-2
-----------	------------------

### Approvals and certificates

#### IECEX approval

Equipment protection level Gb	IECEX PTB 11.0037X
-------------------------------	--------------------

Equipment protection level Da	IECEX PTB 11.0037X
-------------------------------	--------------------

Equipment protection level Mb	IECEX PTB 11.0037X
-------------------------------	--------------------

#### ATEX approval

Equipment protection level Gb	PTB 00 ATEX 2048 X
-------------------------------	--------------------

Equipment protection level Da	PTB 00 ATEX 2048 X
-------------------------------	--------------------

#### UL approval

	cULus Listed, General Purpose
--	-------------------------------

#### CCC approval

Hazardous Location	2020322315002258
--------------------	------------------

#### CML approval

	on request
--	------------

#### ANZEx

	18.3018X
--	----------

### Ambient conditions

Ambient temperature	-25 ... 100 °C (-13 ... 212 °F)
---------------------	---------------------------------

### Mechanical specifications

Connection type	cable
-----------------	-------

Housing material	PBT
------------------	-----

Sensing face	PBT
--------------	-----

Degree of protection	IP67
----------------------	------

Cable	
-------	--

Wire end ferrules	yes
-------------------	-----

Cable diameter	6 mm ± 0.2 mm
----------------	---------------

Bending radius	> 10 x cable diameter
----------------	-----------------------

Material	PVC
----------	-----

Color	blue
-------	------

Number of cores	2
-----------------	---

Core cross section	0.75 mm <sup>2</sup>
--------------------	----------------------

Length	L	15 m
--------	---	------

Mass	935 g
------	-------

Tightening torque, fastening screws	≤ 1.8 Nm
-------------------------------------	----------

Dimensions	
------------	--

Length	40 mm
--------	-------

Diameter	50 mm
----------	-------

### General information

Use in the hazardous area	see instruction manuals
---------------------------	-------------------------

## Connection Assignment

