

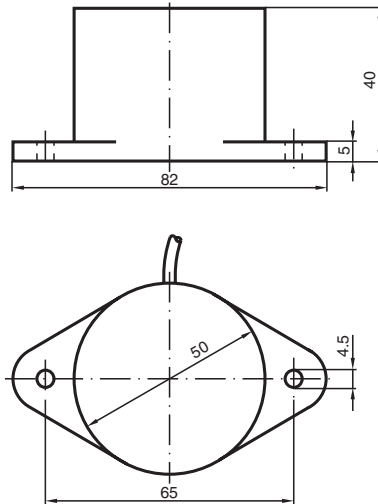
Inductive sensor

NJ25-50-N-5M

- 25 mm non-flush
- NAMUR output
- 5 meter connection cable



Dimensions



Technical Data

General specifications

Switching function		Normally closed (NC)
Output type		NAMUR
Rated operating distance	s_n	25 mm
Installation		non-flush
Assured operating distance	s_a	0 ... 20.25 mm
Reduction factor r_{Al}		0.4
Reduction factor r_{Cu}		0.3
Reduction factor r_{304}		0.85
Output type		2-wire

Nominal ratings

Nominal voltage	U_o	8.2 V (R_i approx. 1 k Ω)
Switching frequency	f	0 ... 250 Hz
Current consumption		
Measuring plate not detected		min. 3 mA
Measuring plate detected		\leq 1 mA

Release date: 2025-06-13 Date of issue: 2025-06-17 Filename: 70133329_eng.pdf

Technical Data

Compliance with standards and directives

Standard conformity

NAMUR	EN 60947-5-6:2000 IEC 60947-5-6:1999
-------	---

Standards	EN IEC 60947-5-2
-----------	------------------

Approvals and certificates

IECEX approval

Equipment protection level Gb	IECEX PTB 11.0037X
-------------------------------	--------------------

Equipment protection level Da	IECEX PTB 11.0037X
-------------------------------	--------------------

Equipment protection level Mb	IECEX PTB 11.0037X
-------------------------------	--------------------

ATEX approval

Equipment protection level Gb	PTB 00 ATEX 2048 X
-------------------------------	--------------------

Equipment protection level Da	PTB 00 ATEX 2048 X
-------------------------------	--------------------

UL approval

	cULus Listed, General Purpose
--	-------------------------------

CCC approval

Hazardous Location	2020322315002258
--------------------	------------------

CML approval

	on request
--	------------

ANZEx

	18.3018X
--	----------

Ambient conditions

Ambient temperature

	-25 ... 100 °C (-13 ... 212 °F)
--	---------------------------------

Mechanical specifications

Connection type

	cable
--	-------

Housing material

	PBT
--	-----

Sensing face

	PBT
--	-----

Degree of protection

	IP67
--	------

Cable

Wire end ferrules	yes
-------------------	-----

Cable diameter	6 mm ± 0.2 mm
----------------	---------------

Bending radius	> 10 x cable diameter
----------------	-----------------------

Material	PVC
----------	-----

Color	blue
-------	------

Number of cores	2
-----------------	---

Core cross section	0.75 mm ²
--------------------	----------------------

Length	L	5 m
--------	---	-----

Mass

	423 g
--	-------

Tightening torque, fastening screws

	≤ 1.8 Nm
--	----------

Dimensions

Length	40 mm
--------	-------

Diameter	50 mm
----------	-------

General information

Use in the hazardous area

	see instruction manuals
--	-------------------------

Connection Assignment

