

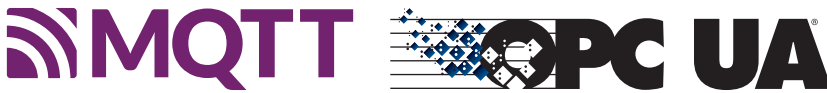


## IO-Link master

### ICE3-8IOL-G65L-V1D-Y

- Primary version is ICE3-8IOL-G65L-V1D
- PROFINET IO with Modbus/TCP enabled and OPC UA support
- Web-based configuration of module and IO-Link devices
- Integrated IODD storage for more than 100 IODDs
- Downloadable module configuration
- M12 L-coded power connector

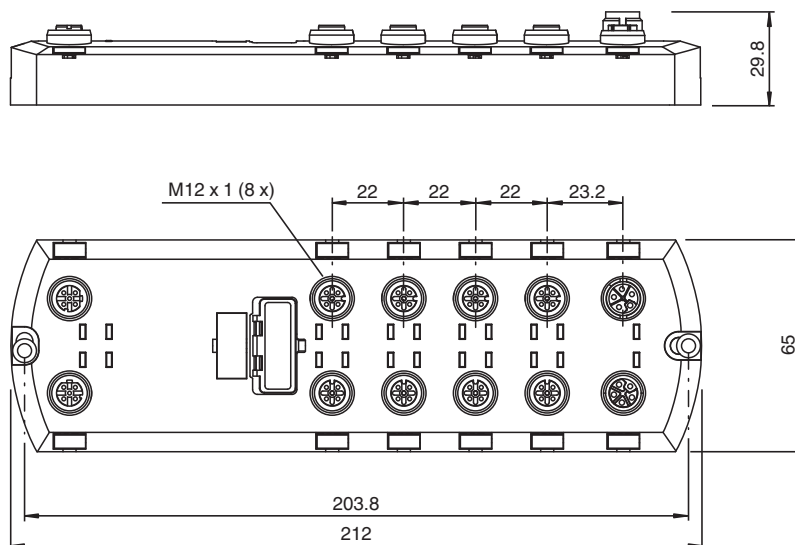
Firmware variant from ICE3-8IOL-G65L-V1D with Modbus enabled by default



## Function

The module is a PROFINET IO fieldbus module with 8 type A IO-Link master ports according to IO-Link standard V1.1. The fieldbus module serves as an interface between the controller of a PROFINET IO fieldbus system and IO-Link devices in the field level. The integrated web server and IODD interpreter enabling complete configuration of the fieldbus module and attached IO-Link devices without the need for special software tools. Information regarding the status of the module is also displayed and network parameters such as the IP address and subnet mask can be configured. The module is capable of storing all configuration enabling stand-alone usage without a higher-level PLC. MultiLink simultaneously provides data access via different communication protocols like PROFINET IO, Modbus/TCP and OPC UA to multiple controllers. An L-coded M12 connector plug used for supplying power enables a current rating of up to 2 x 16 A. The inputs and outputs are equipped with A-coded M12 connector plugs. Connection to the fieldbus is achieved using a D-coded M12 connector plug. Status information for each channel is displayed via LEDs as a diagnostic function.

## Dimensions



Release date: 2025-07-11 Date of issue: 2025-07-11 Filename: 70133474\_eng.pdf

## Technical Data

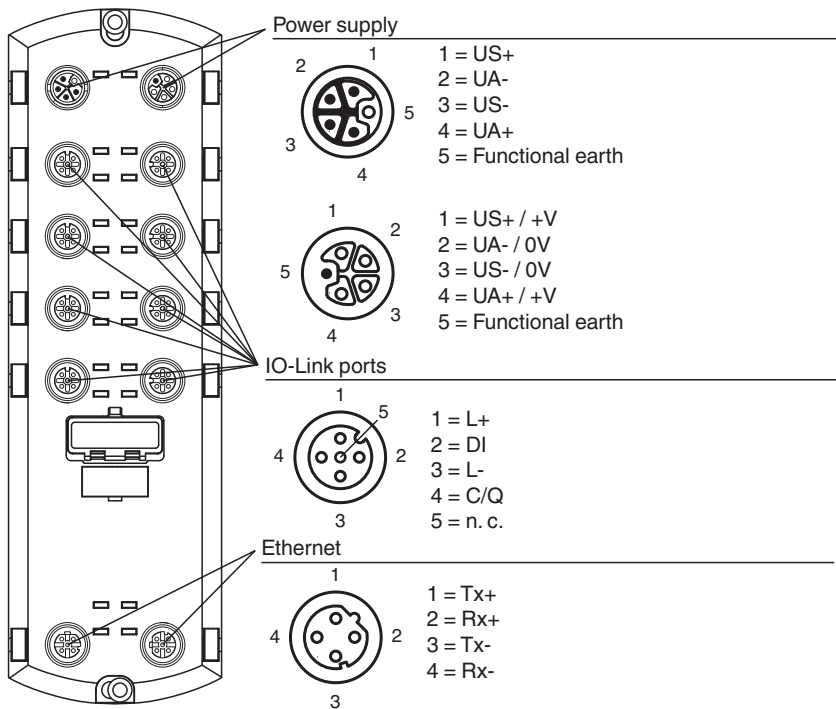
<b>General specifications</b>			
UL File Number		E360395	
<b>Indicators/operating means</b>			
LED indication		see manual	
Rotary switch		Setting the IP address	
<b>Electrical specifications</b>			
Rated operating voltage	$U_e$	20 ... 30 V DC	
General information		M12, L-coded	
Nominal voltage	$U_N$	24 V DC	
Current consumption		typ. 120 mA	
Current loading capacity		Max. 2 x 16 A per module (Loop-through current via L-coded power supply) Total current: max. 6.7 A per module	
Galvanic isolation		between US and UA	
<b>Interface 1</b>			
Interface type		Industrial Ethernet	
Physical		M12, D-coded	
Protocol		PROFINET IO with media redundancy protocol (MRP) + Modbus TCP + OPC UA + MQTT (including Sparkplug B support) Modbus max PDI: 33 times / sec OPC UA max PDI update rate: 20 times / sec MQTT max PDI update rate: 10 times / sec	
Transfer rate		10/100 Mbps	
<b>Inputs/Outputs</b>			
Number/Type		8 x IO-Link Class A (X1 - X8) Configurable as: Max. 8 IO-Link and 8 digital inputs Max. 16 digital inputs Max. 8 digital inputs and 8 digital outputs short-circuit protected	
Sensor supply		Port 1: max. 1.6 A Via L+ (pin 1) Port 3: max. 1 A via L+ (pin 1) Ports 2 and 4 – 8: max. 500 mA per port via L+ (pin 1)	
Output current	$I_e$	max. 200 mA Per port via C/Q (pin 4)	
<b>Directive conformity</b>			
Electromagnetic compatibility			
Directive 2014/30/EU		EN 61000-6-2 , EN 61000-6-4	
<b>Standard conformity</b>			
Degree of protection		EN 60529	
Fieldbus standard		IEC 61131-2	
Electrical safety		CSA C22.2 No. 61010-1-12 UL 61010-1, IEC 61010-2-201	
Emitted interference		EN 61000-6-4, FCC Part 15 Subpart B, ICES-001, AS/NZS CISPR 11	
Noise immunity		EN 61000-6-2 , EN 61131-2 , EN 61131-9	
Shock resistance		EN 60068-2-27	
<b>Ambient conditions</b>			
Ambient temperature		-25 ... 70 °C (-13 ... 158 °F)	
Storage temperature		-40 ... 85 °C (-40 ... 185 °F)	
Relative humidity		max. 95 %	
Altitude		0 ... 2000 m	
Shock and impact resistance		15g, 11ms, half-sine	
<b>Mechanical specifications</b>			
Degree of protection		IP67	
Connection		Power Supply M12, L-coded Fieldbus M12, D-coded Inputs/Outputs M12, A-coded	
Material			
Housing		Molded Polyamide 66	
Mass		454 g	

Release date: 2025-07-11 Date of issue: 2025-07-11 Filename: 70133474\_eng.pdf

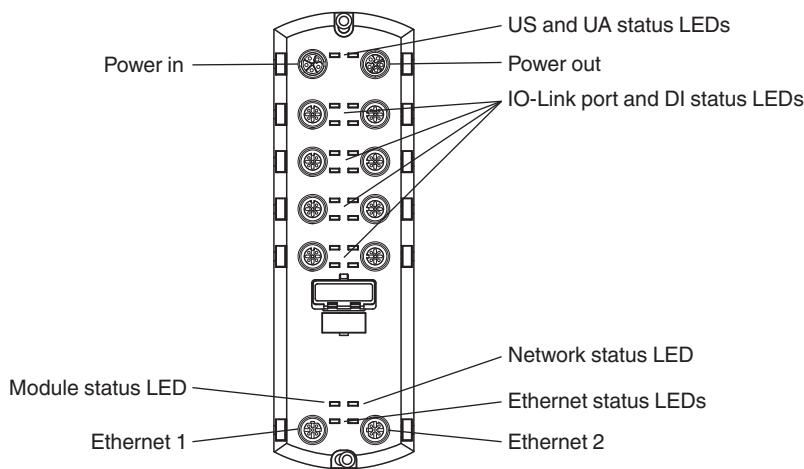
**Technical Data**

Tightening torque, fastening screws	8 Nm
Tightening torque, cable gland	0.6 Nm
Dimensions	65 mm 30 mm 212 mm
Height	212 mm
Width	65 mm
Length	30 mm
Mounting	Machine or panel

**Connection**



**Assembly**



Release date: 2025-07-11 Date of issue: 2025-07-11 Filename: 70133474\_eng.pdf