



## RFID read/write device

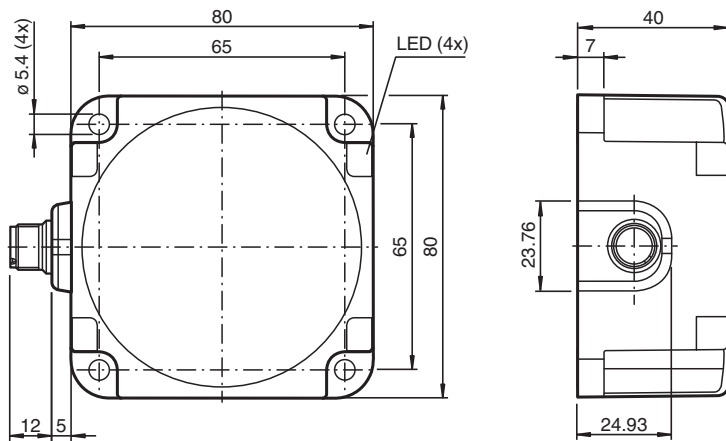
### IQH3-FP-V1

- Range up to 30 cm
- Operating frequency 13.56 MHz
- Conforms to ISO 15693
- LEDs as function indicators
- Multi-tag reading of up to 20 tags ensures increased productivity
- For connection to IDENTControl evaluation unit
- Degree of protection IP67

HF RFID read/write device, ISO 15693, for IDENTControl



## Dimensions



## Technical Data

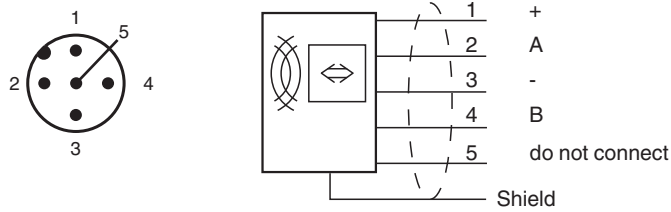
General specifications	
Operating frequency	13.56 MHz
Transfer rate	26 kBit/s
Sensing range	
Read distance	0 ... 300 mm (see manual)
Write distance	0 ... 300 mm (see manual)
Width	max. 300 mm
MTBF	97 a (Operation at +40 °C)
Indicators/operating means	
LED green	Power on
LED yellow	Read/write operation successful
LED red	status display
LED blue	Transmission mode
Electrical specifications	
Current consumption	≤ 700 mA
Supply	from the IDENTControl
Directive conformity	

Release date: 2024-06-19 Date of issue: 2024-06-19 Filename: 70134030\_eng.pdf

## Technical Data

<b>Radio equipment</b>	
Directive 2014/53/EU	EN 301489-1 EN 301489-3 EN 300330 EN 62368-1 EN 50364
<b>RoHS</b>	
Directive 2011/65/EU (RoHS)	IEC/EN 63000
<b>Standard conformity</b>	
Degree of protection	EN 60529
RFID	ISO/IEC 15693-2 ISO/IEC 15693-3 ISO/IEC 18000-3
<b>Approvals and certificates</b>	
UL approval	E468231 cULus Listed, Class 2 Power Source, Type 1 enclosure
FCC approval	This device complies with part 15 of the FCC rules. Operation is subject to the following two conditions: (1) This device may not cause harmful interference, and (2) This device must accept any interference received, including interference that may cause undesired operation. <b>Caution:</b> Changes or modifications not expressly approved by the party responsible for compliance could void the user's authority to operate the equipment.
IC approval	This device complies with Industry Canada licence-exempt RSS standard(s) and with part 15 of the FCC Rules. Operation is subject to the following two conditions: (1) this device may not cause interference, and (2) this device must accept any interference, including interference that may cause undesired operation of the device. Le présent appareil est conforme aux CNR d'Industrie Canada applicables aux appareils radio exempts de licence. L'exploitation est autorisée aux deux conditions suivantes : (1) l'appareil ne doit pas produire de brouillage, et (2) l'utilisateur de l'appareil doit accepter tout brouillage radioélectrique subi, même si le brouillage est susceptible d'en compromettre le fonctionnement.
ACMA approval	CERT-7285
WPC approval	ETA-SD-20230807834
Radio approval	USA: Contains FCC ID IREIQR3FP Canada: Contains IC 7037A-IQR3FP
<b>Ambient conditions</b>	
Ambient temperature	-25 ... 70 °C (-13 ... 158 °F) (Operation with nontransmission periods, adjustable) -25 ... 55 °C (-13 ... 131 °F) (Continuous transmission mode)
Storage temperature	-40 ... 85 °C (-40 ... 185 °F)
<b>Mechanical specifications</b>	
Degree of protection	IP67
Connection	connector M12 x 1
<b>Material</b>	
Housing	PA 6.6
Encapsulation compound	WEVO 403FL/300
<b>Installation</b>	
Distance between two heads	Multiplex on: ≥ 100 mm Multiplex off: ≥ 750 mm
Mass	385 g
<b>Dimensions</b>	
Height	40 mm
Width	80 mm
Length	80 mm

## Connection



## Safety Information

This equipment has been tested and found to comply with the limits for a Class A digital device, pursuant to part 15 of the FCC Rules. These limits are designed to provide reasonable protection against harmful interference when the equipment is operated in a commercial environment. This equipment generates, uses, and can radiate radio frequency energy and, if not installed and used in accordance with the instruction manual, may cause harmful interference to radio communications. Operation of this equipment in a residential area is likely to cause harmful interference in which case the user will be required to correct the interference at his own expense.