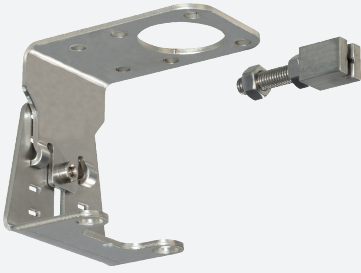


# Mounting set

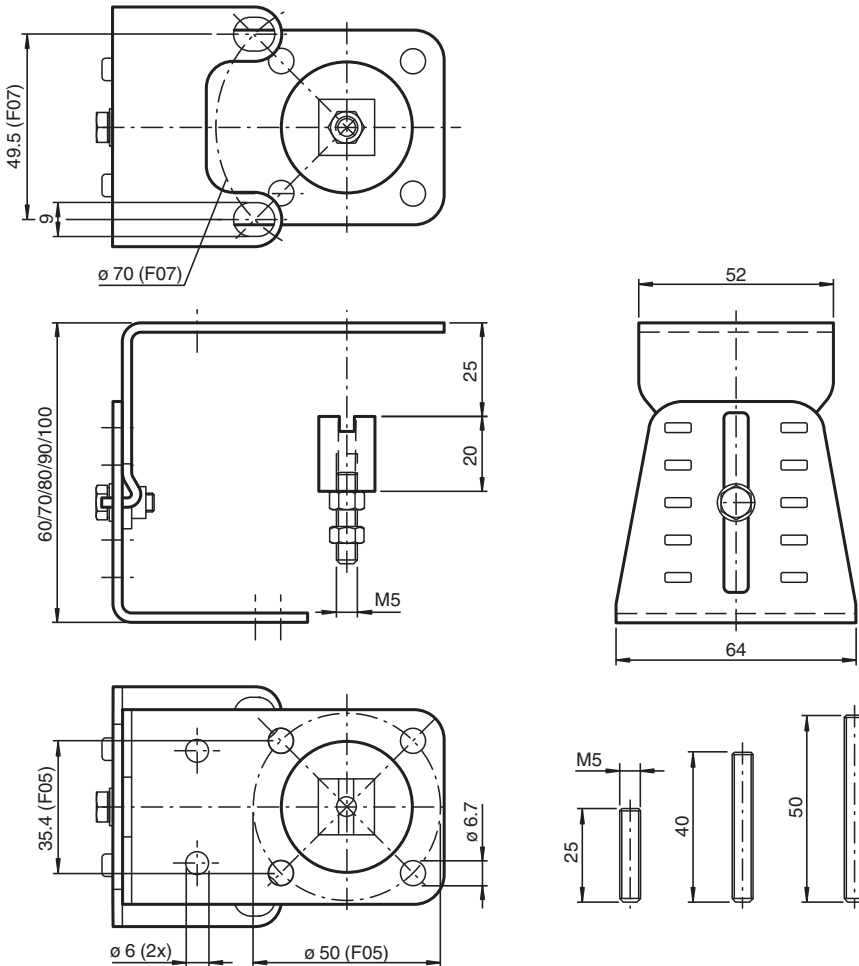
## MHV-BT-F07-M5



- Simple mounting
- All-in-one stainless steel solution
- Conforming to standards
- Adjustable in height

Adjustable assembly set for sizes F07 manual operated valves according to EN ISO5211 with threaded hole M5

### Dimensions



### Technical Data



#### General specifications

Release date: 2023-09-19 Date of issue: 2023-09-25 Filename: 70134290\_eng.pdf

## Technical Data

Suitable sensors and	Double sensors, -F25 series with actuator BT32... Double sensors, -F25K series with actuator BT32... Double sensors, -F31 series with actuator BT65... Double sensors, -F31K series with actuator BT65... Double sensors, -F31K2 series with actuator BT65...
<b>Standard conformity</b>	
Standards	DIN EN ISO 5211 / DIN 3337
<b>Mechanical specifications</b>	
Material	stainless steel 1.4301 / AISI 304 for plates and sheet metal bending parts
Mass	274 g
<b>General information</b>	
Note	For the mounting set, an adapter plate and depending on this, and further accessories must be ordered.
Scope of delivery	Three threaded pins with hexagon socket, various lengths 2 counter nuts 1 drive screw

## Matching System Components

	<b>MHV-BT-F25/F31</b>	Adapter plate for double sensors -F25/-F31 series
	<b>MHV-BT-F31K/F31K2</b>	Adapter plate for double sensors F31K/-F31K2 series