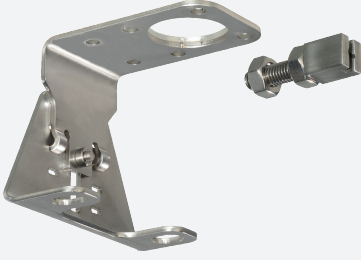


## Mounting set

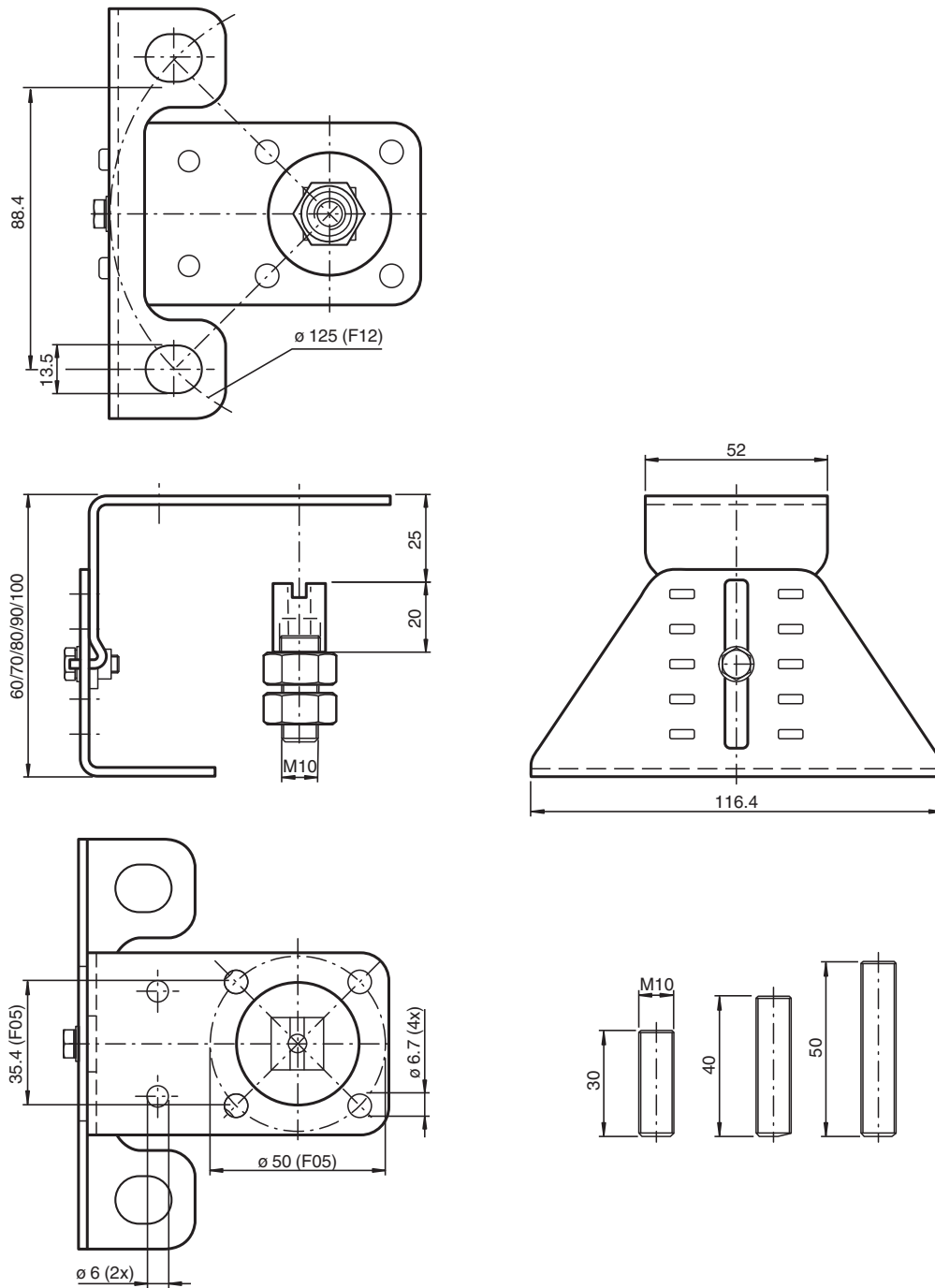
### MHV-BT-F12-M10



- Simple mounting
- All-in-one stainless steel solution
- Conforming to standards
- Adjustable in height

Adjustable assembly set for sizes F12 manual operated valves according to EN ISO5211 with threaded hole M10

Dimensions



Technical Data

General specifications

Suitable sensors and

Double sensors, -F25 series with actuator BT32...  
 Double sensors, -F25K series with actuator BT32...  
 Double sensors, -F31 series with actuator BT65...  
 Double sensors, -F31K series with actuator BT65...  
 Double sensors, -F31K2 series with actuator BT65...

Standard conformity

Standards

DIN EN ISO 5211 / DIN 3337

Mechanical specifications

**Technical Data**

Material	stainless steel 1.4301 / AISI 304 for plates and sheet metal bending parts
Mass	412 g
Dimensions	
Width	64 mm
Length	312 mm
<b>General information</b>	
Note	For the mounting set, an adapter plate and depending on this, and further accessories must be ordered.
Scope of delivery	Three threaded pins with hexagon socket, various lengths 2 counter nuts 1 drive screw