

Radar sensor

MWC25M-L2M-B20-2M



- CAN bus with SAE J1939 protocol
- Sensing range up to 25 m
- Degree of protection IP68 / IP69
- High EMC resistance
- Sensor head bidirectional and rotatable
- Robust metall fastening

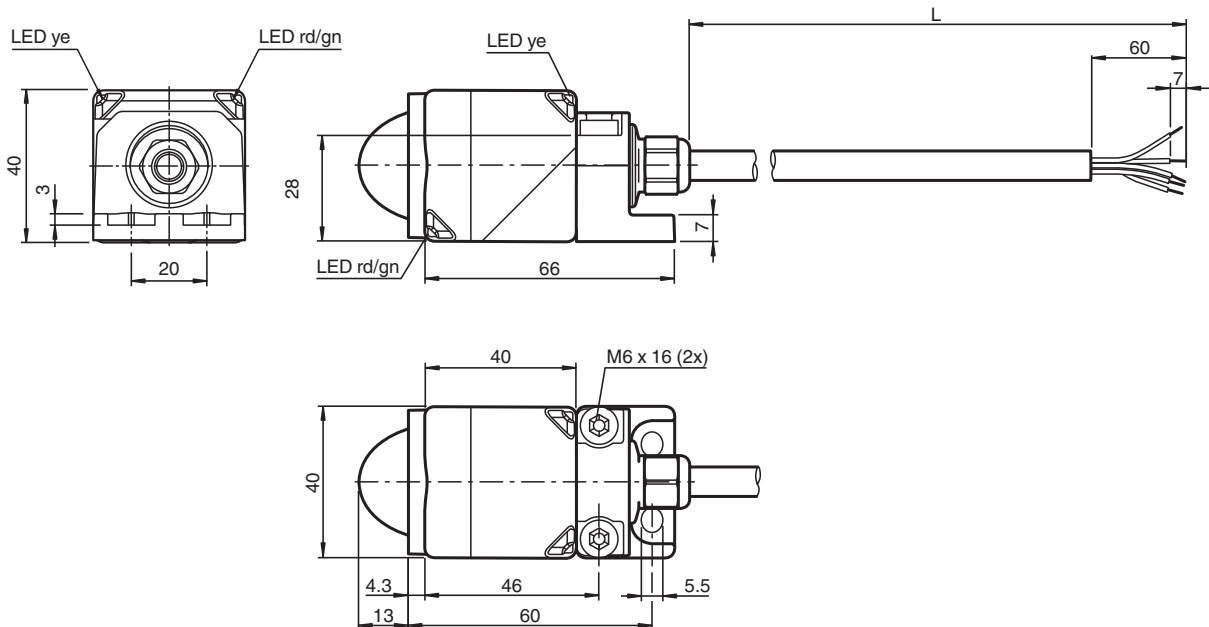
Radar sensor for distance and velocity measuring up to 25 m measuring range



Function

The radar sensor series MWC25M with J1939 interface for medium distances up to 25 m range is optimized for use in industrial applications. Its compact cubic housing of the L2 series is proven in many industrial areas due to its high robustness. Via Parameter Group Numbers (PGNs), you can directly parameterize the radar sensor optimally for your application. Alternatively, parameterization with extended functionality is also possible using the FDT framework program PACTware and a DTM. This allows you to additionally use various evaluation and filter settings for distance and velocity values. The radar sensor operates according to the frequency modulated continuous wave (FMCW) method in the ISM band at 122 ... 123 GHz, approved for industrial use. In doing so, it emits a continuous radar signal that is varied over the frequency range of the ISM band. With this method, the sensor is able to reliably detect the distance and velocity of static and moving objects. When measuring velocity, the radar sensor detects the velocity of an object in the radial direction only, without measuring tangential velocities or velocity parts.

Dimensions



Technical Data

General specifications

Measuring technology

FMCW

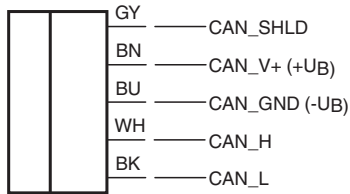
Technical Data

Measured variable		distance velocity
Measurement range		
Distance		0.5 ... 25 m
Velocity		0.1 ... 80 m/s
Dead band		0 ... 0.5 m
Standard target plate		corner reflector 100 mm edge length
Working frequency		122.25 ... 123 GHz
Opening angle		< 12 ° (see characteristic curve)
Transmitter radiated power (EIRP)		< +20 dBm
Sampling rate		1 ... 200 Hz , programmable
Nominal ratings		
Linearity error		< ± 0.1 % of full-scale value (linearity error incl. temperature drift)
Repeat accuracy	R	1 mm
Resolution		distance 1 mm velocity 0.01 m/s
Time delay before availability	t _v	≤ 400 ms
Functional safety related parameters		
Performance level (PL)		up to PL c
MTTF _d		310 a
Mission Time (T _M)		20 a
Diagnostic Coverage (DC)		up to 60 % , see functional safety manual
Indicators/operating means		
LED yellow		object within measuring range
LED red/green		J1939 status display
Electrical specifications		
Operating voltage	U _B	9 ... 32 V
No-load supply current	I ₀	≤ 100 mA
Power consumption	P ₀	typ. 0.4 W , max. 1 W
Interface		
Interface type		J1939
Process data		status register distance signal quality cycle counter velocity
Transfer rate		250 kBit/s , 500 kBit/s , programmable
Termination		external
Compliance with standards and directives		
Standard conformity		
Standards		EN 301489-1 EN 301489-3 EN 305550-1 EN 62368-1 EN 62311
Approvals and certificates		
UL approval		cULus
FCC approval		CFR Title 47, Part 15 FCC ID: IRE-MWL2A
ISED approval		IC ID: 7037A-MWL2A HVIN/PMN: MWL2A
Ambient conditions		
Ambient temperature		-40 ... 70 °C (-40 ... 158 °F)
Storage temperature		-40 ... 85 °C (-40 ... 185 °F)
Mechanical specifications		
Connection type		cable
Degree of protection		IP68 / IP69

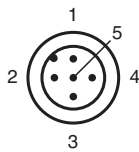
Technical Data

Material		
Housing		PA-GF35 powder coated metal mounting flange
Radome		PTFE
Cable		
Cable diameter		7.25 mm ± 0.2 mm
Bending radius		static min. 37.3 mm , dynamic min. 74.7 mm
Material		PUR
Color		black
Number of cores		5
Core cross section		0.8 mm ²
Length	L	2000 mm ± 25 mm
Mass		335 g
Dimensions		
Height		40 mm
Width		40 mm
Length		83.3 mm
Factory settings		
Default setting		PGN "Distance and velocity"
Sampling rate		50 Hz
Transfer rate		250 kBit/s

Connection Assignment



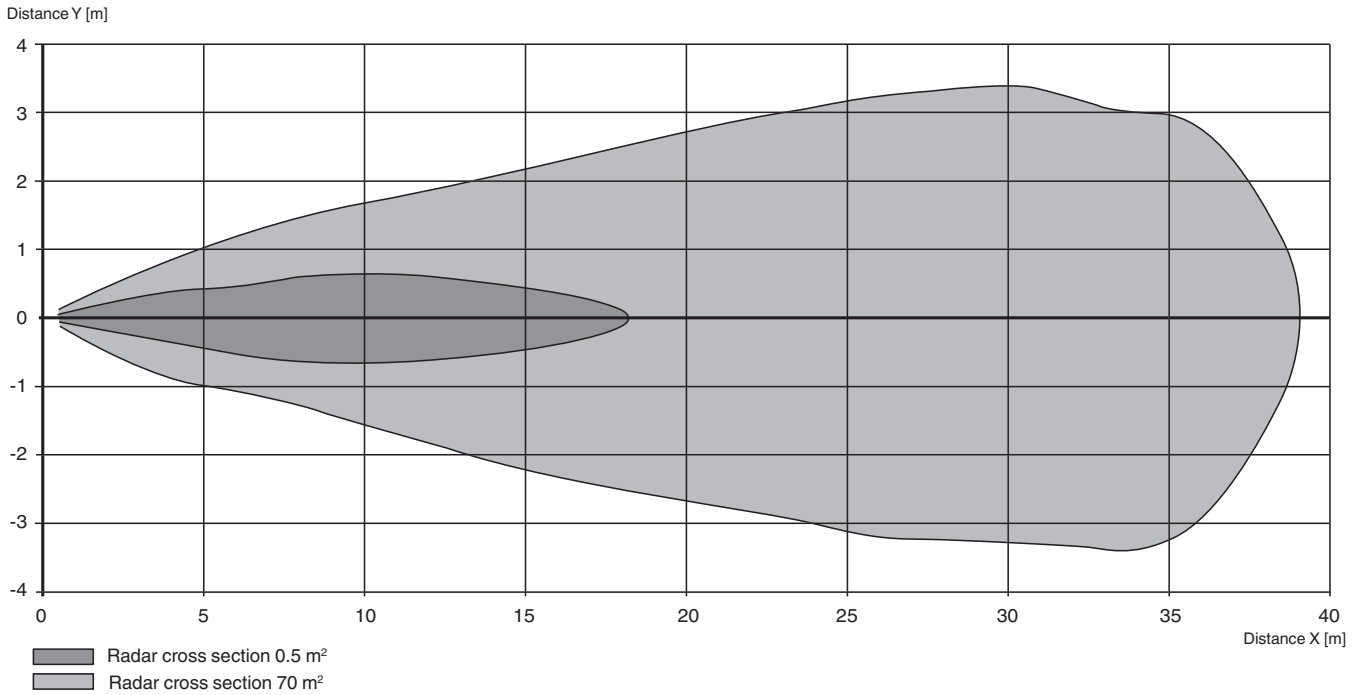
Connection Assignment



Release date: 2024-07-23 Date of issue: 2024-07-23 Filename: 70134318-100007_eng.pdf

Characteristic Curve

Characteristic response curve radar sensor



Technical Features

Emitted Interference and Interference Immunity Specifications

Mains-Borne Interference in Accordance with ISO 7637-2									
Pulse	1	2a	2b	3a	3b	4	5	5a	5b
Failure criterion	A	A	C	A	A	A	A	A	A

Interference Immunity	Coupling	Level	Failure Criterion
ISO 11452-2	–	30 V/m	–
EN 61000-4-2	Contact	8 kV	A
	Air	15 kV	A
EN 61000-4-3	–	11 V/m	A
EN 61000-4-4	Direct	1,1 kV	B
	Capacitiv	2,2 kV	B
EN 61000-4-6	–	15 V	A
EN 55011	Contact	Class B	–
	Radiation	Class B	–

Accessories

Accessories for this product can be found on the internet at www.pepperl-fuchs.com.

Release date: 2024-07-23 Date of issue: 2024-07-23 Filename: 70134318-100007_eng.pdf