

Inductive sensor

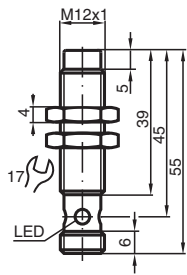
NBN4-12GS40-Z4L-V1-3G-3D



- 4 mm non-flush
- 2-wire DC sensor with minimum off-state current
- Switching status indicator, yellow LED
- ATEX-/IECEx-approvals for zone 2/22 (Ex ec/tc)
- Stainless steel housing
- Polarity reversal protected



Dimensions



Technical Data

General specifications

Switching function		Normally open (NO)
Output type		Two-wire with minimum off-state current
Rated operating distance	s_n	4 mm
Installation		non-flush
Output polarity		DC
Assured operating distance	s_a	0 ... 3.24 mm
Actual operating distance	s_r	3.6 ... 4.4 mm typ.
Reduction factor r_{Al}		0.4
Reduction factor r_{Cu}		0.36
Reduction factor r_{304}		0.7
Output type		2-wire

Nominal ratings

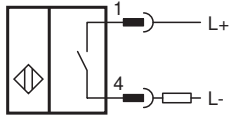
Operating voltage	U_B	4 ... 30 V
Switching frequency	f	0 ... 700 Hz
Hysteresis	H	1 ... 10 % typ. 5 %
Reverse polarity protection		yes

Release date: 2025-06-12 Date of issue: 2025-06-14 Filename: 70134926-0004_eng.pdf

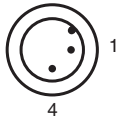
Technical Data

Short-circuit protection		pulsing
Voltage drop	U_d	≤ 4 V
Operating current	I_L	2 ... 30 mA
Lowest operating current	I_m	2 mA
Off-state current	I_r	≤ 200 μ A
Switching state indicator		Multihole-LED, yellow
Functional safety related parameters		
MTTF _d		1536 a
Mission Time (T _M)		20 a
Diagnostic Coverage (DC)		0 %
Compliance with standards and directives		
Standard conformity		
Standards		EN IEC 60947-5-2
Approvals and certificates		
IECEX approval		
Equipment protection level Gc (ec)		IECEX TUR 21.0017X
Equipment protection level Dc (tc)		IECEX TUR 21.0018X
ATEX approval		
Equipment protection level Gc (ec)		TÜV 20 ATEX 8523 X
Equipment protection level Dc (tc)		TÜV 20 ATEX 8524 X
UL approval		cULus Listed, General Purpose, Class 2 Power Source
CCC approval		
Hazardous Location		2024322315005977 2024322315005859
KCC approval		
Hazardous Location		23-AV4BO-0237X
Ambient conditions		
Ambient temperature		-25 ... 70 °C (-13 ... 158 °F)
Storage temperature		-40 ... 85 °C (-40 ... 185 °F)
Mechanical specifications		
Connection type		Connector plug
Housing material		Stainless steel 1.4305 / AISI 303
Sensing face		PBT
Degree of protection		IP67
Connector		
Threading		M12 x 1
Number of pins		2
Mass		26 g
Dimensions		
Length		55 mm
Diameter		12 mm
General information		
Scope of delivery		2 self locking nuts in scope of delivery
Use in the hazardous area		see instruction manuals

Connection Assignment

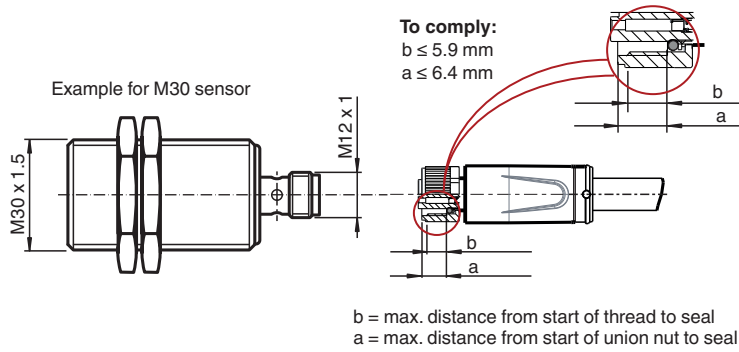


Connection Assignment



Installation

Requirement for cable socket to achieve IP degree of protection



Release date: 2025-06-12 Date of issue: 2025-06-14 Filename: 70134926-0004_eng.pdf