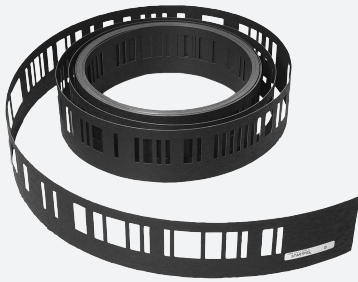


WCS3 code rail

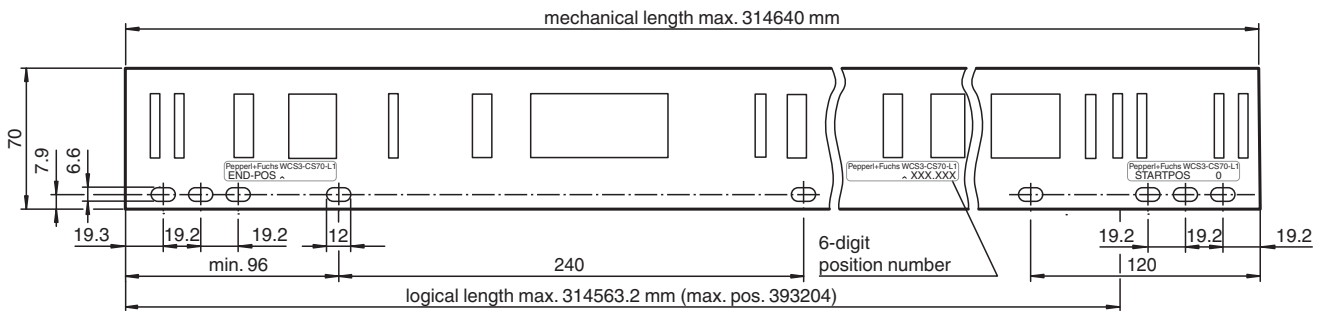
WCS3-CS70-L1-S000000-L030000



- Flexible installation by means of alu profile- or mounting bracket system
- High chemical resistance
- Low weight

Code rail, polyester laminate

Dimensions



Technical Data

General specifications

| | |
|------------------|----------|
| Code rail height | 70 mm |
| Total length | 30000 mm |
| Start position | 0 mm |
| Radius of bend | ≥ 300 mm |

Ambient conditions

| | |
|--------------------------|--------------------------------|
| Operating temperature | -40 ... 60 °C (-40 ... 140 °F) |
| Storage temperature | -40 ... 60 °C (-40 ... 140 °F) |
| Installation temperature | 10 ... 60 °C (50 ... 140 °F) |

Mechanical specifications

| | |
|-------------------------------|----------------------------------|
| Material thickness | 0.75 ... 0.95 mm |
| Tension loading | ≤ 260 N |
| Material | polyester laminate |
| Thermal expansion coefficient | approx. 2.8×10^{-5} / K |
| Mass | 40 g / m |
| Manufacturing tolerance | ± 1 mm/m |

Release date: 2024-08-26 Date of issue: 2024-08-26 Filename: 70135877-100022_eng.pdf

Mounting



Automatic length correction:
Code rail is only delivered with
web ends or web beginnings.

Type Code

Structure of the type code

| | | | | | | | | | | | | | | | | | | | | | | | | | | |
|---|---|---|---|---|---|---|----|---|---|-----|---|---|-----|-----|-----|-----|-----|-----|---|---|-----|-----|-----|-----|-----|-----|
| W | C | S | 3 | - | C | S | 70 | - | L | (1) | - | S | (2) | (2) | (2) | (2) | (2) | (2) | - | L | (3) | (3) | (3) | (3) | (3) | (3) |
|---|---|---|---|---|---|---|----|---|---|-----|---|---|-----|-----|-----|-----|-----|-----|---|---|-----|-----|-----|-----|-----|-----|

| | |
|------------------------------|--|
| WCS3 | Read head type |
| WCS | Position encoding system |
| CS | Code rail |
| C | Code |
| S | Rail |
| 70 | Code rail height |
| 70 | Code rail height |
| L | Code rail material |
| L | Polyester-Laminat |
| (1) | Mounting hole type |
| 0 | Without mounting holes |
| 1 | With mounting holes |
| 2 | With Vahle mounting holes |
| S (2) (2) (2) (2) (2) | Starting position |
| (2) | |
| 0 ... 314463 | Starting position of the code rail in mm |
| L (3) (3) (3) (3) (3) | Code rail length |
| 100 ... 314563 | Length of the code rail in mm |

Release date: 2024-08-26 Date of issue: 2024-08-26 Filename: 70135877-100022_eng.pdf