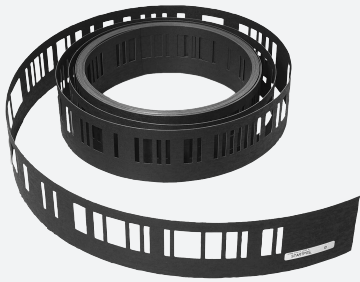


WCS3 code rail

WCS3-CS70-L*-S*****-L*****

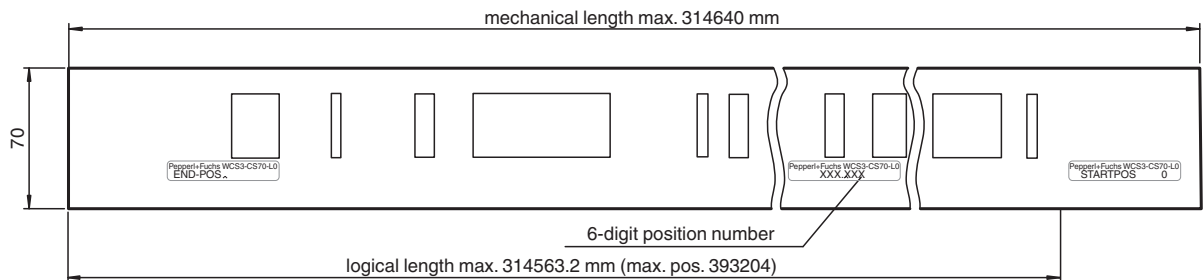


- Flexible installation by means of alu profile- or mounting bracket system
- High chemical resistance
- Low weight

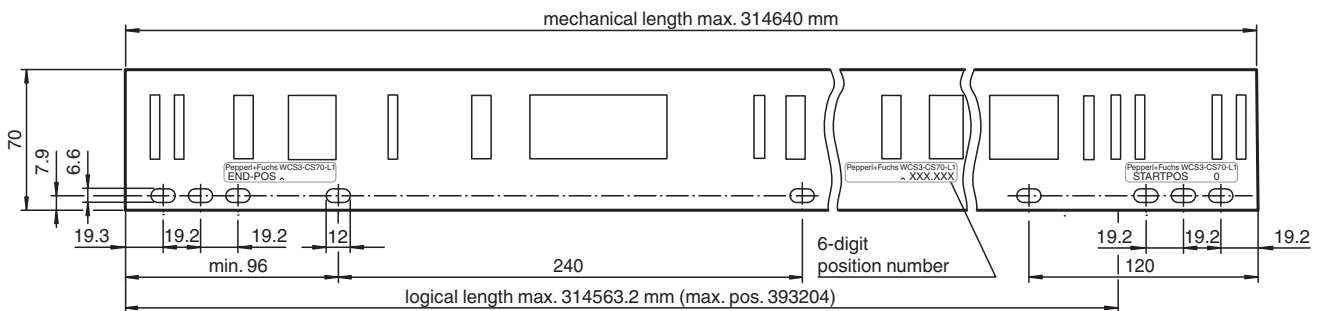
Code rail, polyester laminate

Dimensions

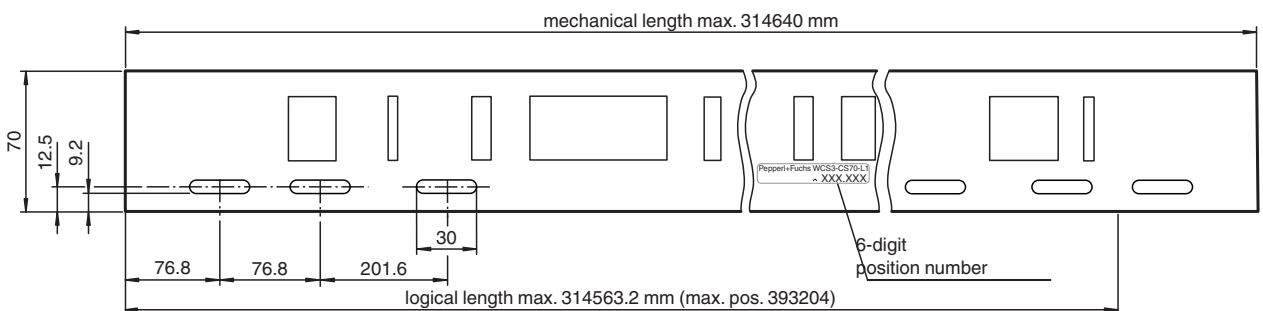
WCS3-CS70-L0-*



WCS3-CS70-L1-*



WCS3-CS70-L2-*

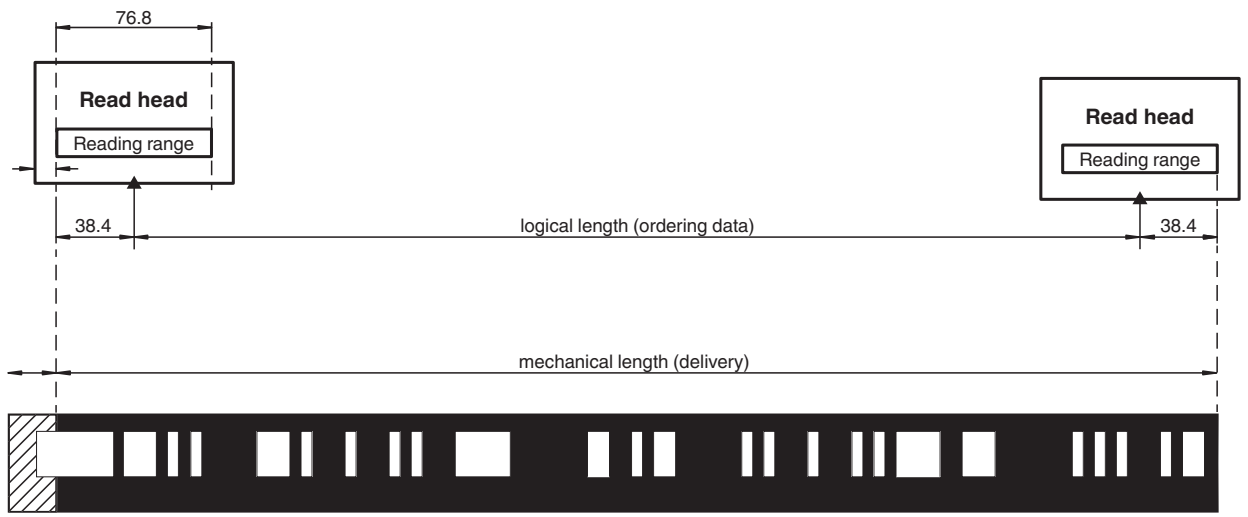


Release date: 2024-08-23 Date of issue: 2024-08-23 Filename: 70135877_eng.pdf

Technical Data

General specifications	
Code rail height	70 mm
Total length	100 ... 314563.2 mm
Start position	0 ... 314463.2 mm
Radius of bend	≥ 300 mm
Ambient conditions	
Operating temperature	-40 ... 60 °C (-40 ... 140 °F)
Storage temperature	-40 ... 60 °C (-40 ... 140 °F)
Installation temperature	10 ... 60 °C (50 ... 140 °F)
Mechanical specifications	
Material thickness	0.75 ... 0.95 mm
Tension loading	≤ 260 N
Material	polyester laminate
Thermal expansion coefficient	approx. 2.8 x 10 ⁻⁵ / K
Mass	40 g / m
Manufacturing tolerance	± 1 mm/m

Mounting



Automatic length correction:
Code rail is only delivered with
web ends or web beginnings.

Type Code

Structure of the type code

W	C	S	3	-	C	S	70	-	L	(1)	-	S	(2)	(2)	(2)	(2)	(2)	(2)	-	L	(3)	(3)	(3)	(3)	(3)	(3)
---	---	---	---	---	---	---	----	---	---	-----	---	---	-----	-----	-----	-----	-----	-----	---	---	-----	-----	-----	-----	-----	-----

WCS3	Read head type
WCS	Position encoding system

CS	Code rail
C	Code
S	Rail

70	Code rail height
70	Code rail height

Release date: 2024-08-23 Date of issue: 2024-08-23 Filename: 70135877_eng.pdf

Type Code

L		Code rail material
L		Polyester-Laminat
(1)		Mounting hole type
0		Without mounting holes
1		With mounting holes
2		With Vahle mounting holes
S (2) (2) (2) (2) (2) (2)		Starting position
0 ... 314463		Starting position of the code rail in mm
L (3) (3) (3) (3) (3) (3)		Code rail length
100 ... 314563		Length of the code rail in mm