



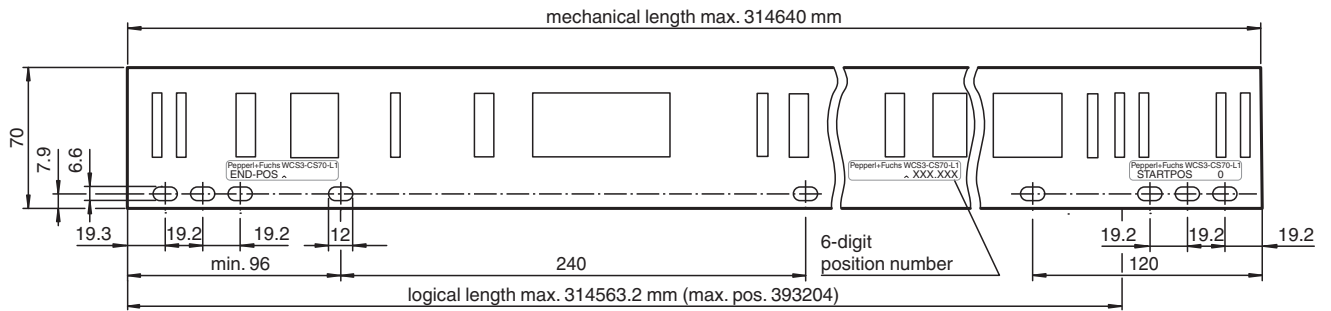
## WCS3 code rail

WCS3-CS70-M1-S000000-L003100

- Flexible installation by means of alu profile- or mounting bracket system
- High mechanical stability
- Suitable for applications with wide temperature variations

Code rail, stainless steel

### Dimensions



### Technical Data

#### General specifications

|                  |          |
|------------------|----------|
| Code rail height | 70 mm    |
| Total length     | 3100 mm  |
| Start position   | 0 mm     |
| Radius of bend   | ≥ 300 mm |

#### Ambient conditions

|                          |                                 |
|--------------------------|---------------------------------|
| Operating temperature    | -40 ... 100 °C (-40 ... 212 °F) |
| Storage temperature      | -40 ... 100 °C (-40 ... 212 °F) |
| Installation temperature | 10 ... 60 °C (50 ... 140 °F)    |

#### Mechanical specifications

|                               |                                   |
|-------------------------------|-----------------------------------|
| Material thickness            | 0.5 mm                            |
| Tension loading               | ≤ 5000 N                          |
| Material                      | stainless steel 1.4310 / AISI 301 |
| Thermal expansion coefficient | 1.6 x 10 <sup>-5</sup> / K        |
| Mass                          | 240 g / m                         |
| Manufacturing tolerance       | ± 1 mm/m                          |

## Mounting



Automatic length correction:  
Code rail is only delivered with  
web ends or web beginnings

## Type Code

### Structure of the type code

|   |   |   |   |   |   |   |    |   |   |   |   |   |     |     |     |     |     |     |   |   |     |     |     |     |     |     |
|---|---|---|---|---|---|---|----|---|---|---|---|---|-----|-----|-----|-----|-----|-----|---|---|-----|-----|-----|-----|-----|-----|
| W | C | S | 3 | - | C | S | 70 | - | M | 1 | - | S | (1) | (1) | (1) | (1) | (1) | (1) | - | L | (2) | (2) | (2) | (2) | (2) | (2) |
|---|---|---|---|---|---|---|----|---|---|---|---|---|-----|-----|-----|-----|-----|-----|---|---|-----|-----|-----|-----|-----|-----|

|                                  |                                          |
|----------------------------------|------------------------------------------|
| <b>WCS3</b>                      | <b>Read head type</b>                    |
| WCS                              | Position encoding system                 |
| <b>CS</b>                        | <b>Code rail</b>                         |
| C                                | Code                                     |
| S                                | Rail                                     |
| <b>70</b>                        | <b>Code rail height</b>                  |
| 70                               | Code rail height                         |
| <b>M</b>                         | <b>Code rail material</b>                |
| M                                | Stainless steel                          |
| <b>1</b>                         | <b>Mounting hole type</b>                |
| 1                                | With mounting holes                      |
| <b>S (1) (1) (1) (1) (1) (1)</b> | <b>Starting position</b>                 |
| 0 ... 314463                     | Starting position of the code rail in mm |
| <b>L (2) (2) (2) (2) (2) (2)</b> | <b>Code rail length</b>                  |
| 100 ... 314563                   | Length of the code rail in mm            |

Release date: 2024-08-28 Date of issue: 2024-08-28 Filename: 70135878-100038\_eng.pdf