



Thru-beam sensor emitter MD17/33/115-10M



- Emitter
- Compact, versatile housing
- 360° high visibility LEDs
- 10 m cable length

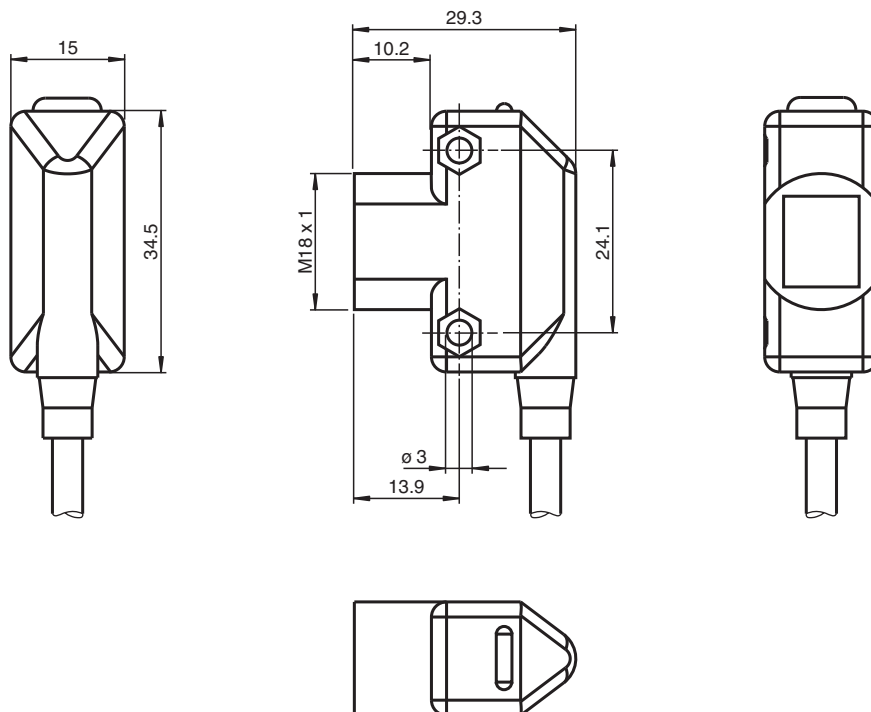
Thru-beam sensor transmitter, small design, infrared light, 20 m range, cable



Function

The ML17 sensor family offers diverse connection and installation options, which means that it can adapt to the most varied automation tasks. In addition to the usual fitting method using M4 screws, these sensors can also be installed by means of M18 threaded insert. All devices are equipped with a green Power On display and a yellow function display. These displays are arranged in such a way that they are clearly visible from different directions.

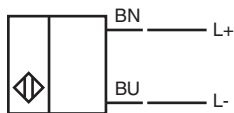
Dimensions



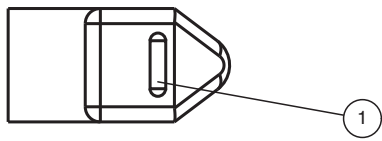
Technical Data

System components		
Emitter		MD17/33/115-10M
Receiver		MV17/33/115/136-10M
General specifications		
Effective detection range		0 ... 15 m
Threshold detection range		20 m
Reference target		receiver
Light source		IRED
Light type		Infrared LED
Ambient light limit		≤ 10000 Lux
Indicators/operating means		
Operation indicator		LED green
Electrical specifications		
Operating voltage	U_B	10 ... 30 V DC , class 2
Ripple		max. 10 %
No-load supply current	I_0	< 25 mA
Time delay before availability	t_v	≤ 200 ms
Conformity		
Product standard		EN 60947-5-2 IEC 60947-5-2
Approvals and certificates		
CE conformity		CE
UL approval		cULus
CCC approval		CCC approval / marking not required for products rated ≤36 V
Ambient conditions		
Ambient temperature		-20 ... 55 °C (-4 ... 131 °F)
Storage temperature		-20 ... 70 °C (-4 ... 158 °F)
Mechanical specifications		
Housing width		15 mm
Housing height		34.5 mm
Degree of protection		IP67
Connection		10 m fixed cable
Material		
Housing		ABS
Optical face		Acrylic
Mass		approx. 190 g

Connection



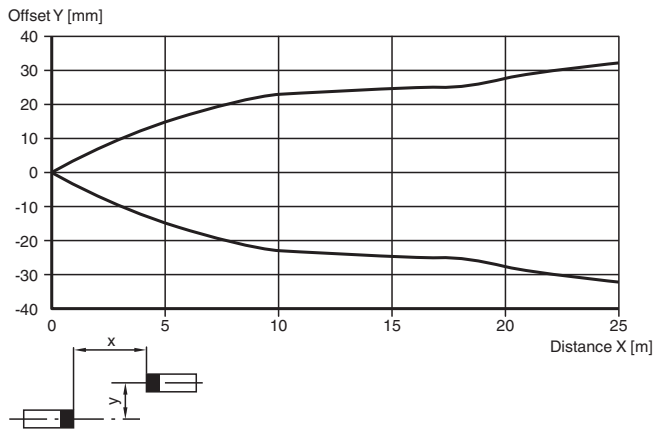
Indication



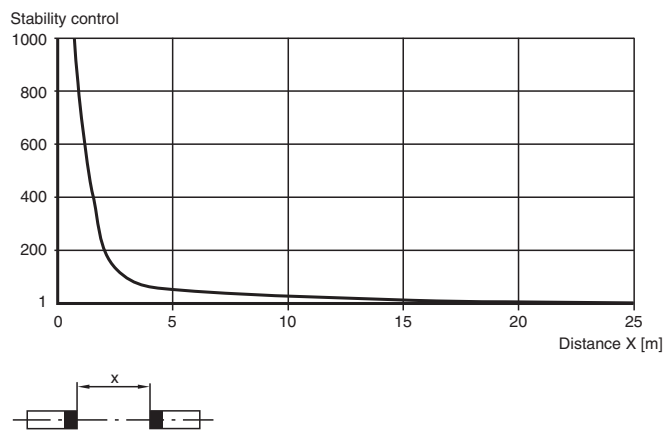
1 Operating display green

Characteristic Curve

Characteristic response curve



Relative received light strength



Matching System Components



MV17/33/115/136-10M

Thru-beam sensor receiver, small design, infrared, light-on/dark-on switching, push-pull output, cable

Accessories



OMH-ML17

Mounting bracket



OMH-ML17-1

Mounting bracket

Release date: 2023-03-28 Date of issue: 2023-03-28 Filename: 70136751_eng.pdf