

Connection cable

V15-W-VT1M-PUR-U/CAN-V15-G

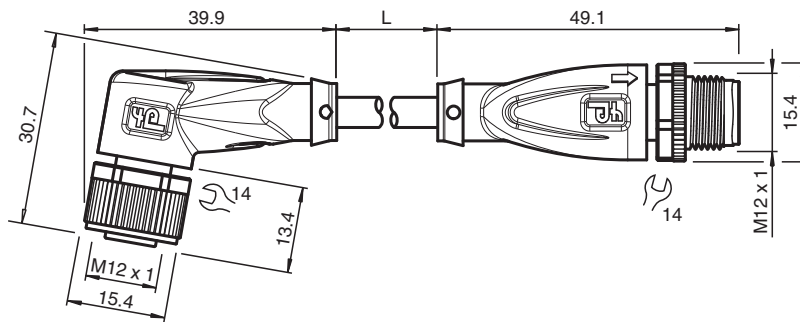


- Suitable for DeviceNet and CANopen
- Suitable for drag chains and abrasion resistant
- Degree of protection IP68 / IP69
- Resistant to microbes and hydrolysis
- Resistant to salt water
- UL listed for USA and Canada
- Halogen-free
- Specific design protects against loosening and inaccurate installation

DeviceNet/CANOpen bus cable M12 socket angled to M12 plug straight A-coded, 5-pin, PUR cable violet, shielded, UL approved, drag chain suitable, salt water resistant



Dimensions



Technical Data

General specifications

Connector 1		
Connection		socket
Construction type		M12
Style		angled
Locking		screw connection
Number of pins		5
Coding		A-coded
Connector 2		
Connection		plug
Construction type		M12
Style		straight
Locking		screw connection
Number of pins		5
Coding		A-coded

Electrical specifications

Operating voltage	U_B	max. 48 V AC / 60 V DC
Test voltage		core/core: 3000 V (1 min) core/shield: 3000 V (1 min)
Operating current	I_B	max. 4 A
Characteristic impedance		120 Ω \pm 12 Ω (1 MHz)

Release date: 2024-05-22 Date of issue: 2024-05-22 Filename: 70137144_eng.pdf

Technical Data

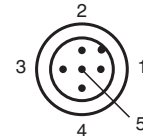
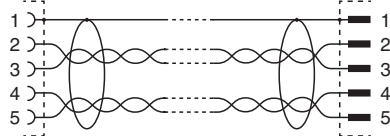
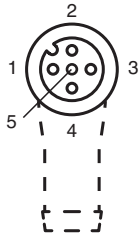
Conformity		
Degree of protection		EN 60529
Plug connection		connector M12 x 1 : IEC 61076-2-101
Flammability		IEC 60332-1-2 / UL 2556 / ISO 6722-1 5.22 (UN ECE-R 118.01)
Halogen-free		IEC 60754-1
Chemical resistance		DIN EN 60811-2-1
Oil resistance		DIN EN 60811-2-1
Approvals and certificates		
UL approval		CMX listed (cable)
UL File Number		E231213
Ambient conditions		
Ambient temperature		
Plug connector		-25 ... 90 °C (-13 ... 194 °F)
Cable, fixed		-20 ... 80 °C (-4 ... 176 °F)
Cable, flexing		-20 ... 80 °C (-4 ... 176 °F)
Pollution degree		3
Mechanical specifications		
Plug connector		
Tightening torque		0.6 Nm
Loosening protection		available
Tool installation		straight knurling and hexagon nut SW = 14 mm
Mating cycles		min. 100
Shielding		shield connected to pin 1 and screw connection
Degree of protection		IP68 / IP69
Cable		according to IEC/EN 60228 (DIN VDE 0295) class 5
Sheath diameter		6.1 mm
Bending radius		> 8 x cable diameter, moving > 4 x cable diameter, fixed
Sheath stripping force		max. 60 N / 100 mm
Sheath color		violet (similar to RAL 4001)
Number of cores		4
Core cross section		0.34 mm ²
Cores color		Core 1: red Core 2: black Core 3: white Core 4: blue
Core construction		7 x 0.254 mm Ø twisted quad
Shield		tinned copper braiding, 80 % coverage
Length	L	1 m
Cable code		Li 9Y 11Y 4 x 0.34
Drag chain suitability		
Drag chain cycles		min. 3000000
Motion velocity		max. 2.5 m/s
Acceleration		max. 12 m/s ²
Mass		79.64 g
Material		
Halogen-free		yes
Plug connector		
Screw connection		Zinc diecast, nickel-plated
Body		TPU, black
Seal		FKM
Contact surface		gold plated (Au)
Flammability		V-2
Cable		

Release date: 2024-05-22 Date of issue: 2024-05-22 Filename: 70137144_eng.pdf

Technical Data

Sheathing	PUR based on polyether
Core insulation	PP
Salt water resistance	yes
Oil resistance	yes
Microbial resistance	yes
Hydrolysis resistance	yes
Flammability	VW-1 complies with UN ECE-R 118.01

Connection



Release date: 2024-05-22 Date of issue: 2024-05-22 Filename: 70137144_eng.pdf