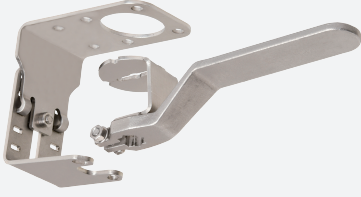


# Mounting Kit

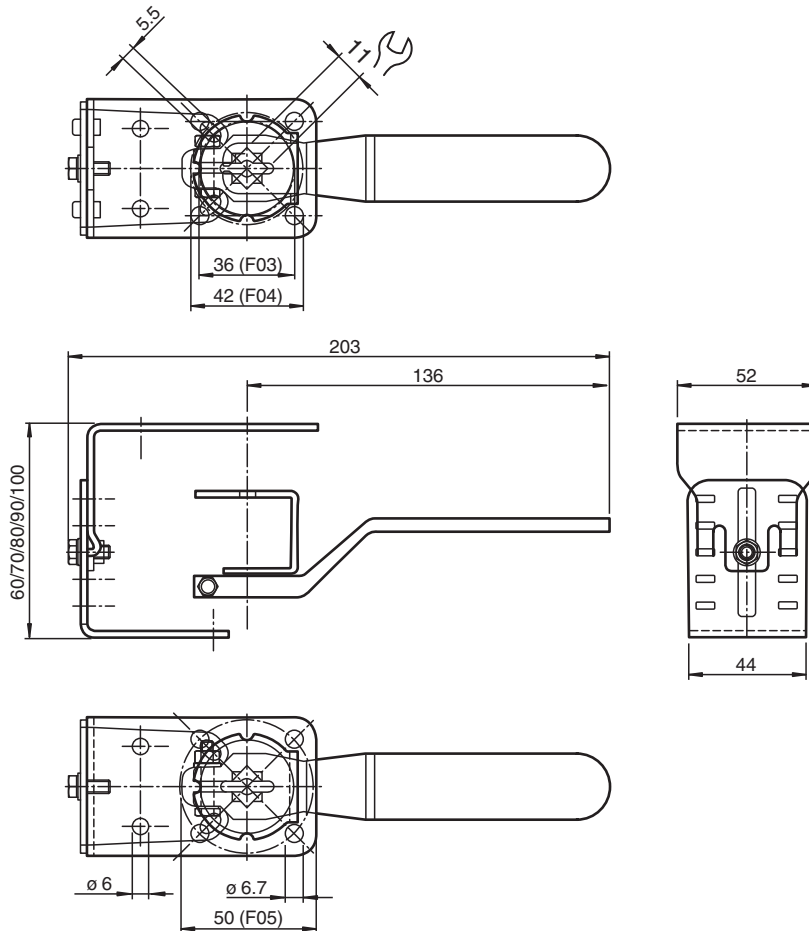
## MHV-BT-F0304-G11



- Simple mounting
- No hole required in drive shaft
- Hand lever included
- All-in-one stainless steel solution
- Conforming to standards
- Adjustable in height

Adjustable assembly set for sizes F03 and F04 manual operated valves according to EN ISO5211, square shaft G= 11 mm, minimum height 13 mm

## Dimensions



## Technical Data

### General specifications

## Technical Data

Suitable sensors and	Dual sensors, -F25 series with actuator BT32... Dual sensors, -F25K series with actuator BT32... Dual sensors, -F31 series with actuator BT65... Dual sensors, -F31K series with actuator BT65... Dual sensors, -F31K2 series with actuator BT65...
<b>Standard conformity</b>	
Standards	DIN EN ISO 5211 / DIN 3337
<b>Mechanical specifications</b>	
Material	stainless steel 1.4301 / AISI 304 for plates and sheet metal bending parts Stainless steel 1.4305 / AISI 303 for shaft Stainless steel 1.4408 / AISI 316 for handle
Mass	405 g
Dimensions	
Width	52 mm
Length	203 mm
<b>General information</b>	
Note	For the mounting set, an adapter plate and depending on this, and further accessories must be ordered.