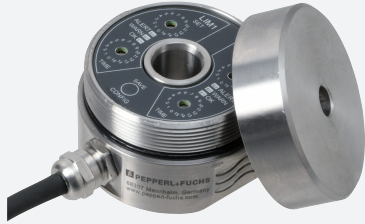


Vibration sensor

VIM82PP-S1V16-21E-I422C28



- Suitable for SIL2/PId applications
- Rugged stainless steel housing
- Vibration velocity in mm/s (rms) acc. to DIN ISO 10816/20816
- Suitable for use in hazardous area up to Zone 1/21 with type of protection explosionproof enclosure

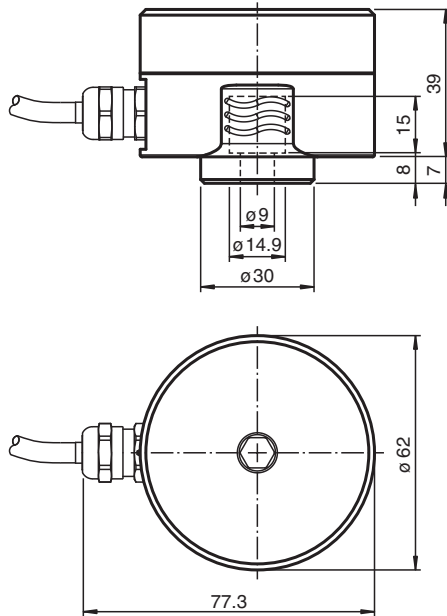
Vibration sensor with safety function both for the analog current output and for the 2 relay outputs with adjustable switching thresholds



Function

The vibration sensor determines the vibration quantity using rms (root mean square) averaging. This form of quadratic averaging or pre-filtering enables precise trend statements about the condition of the application. The vibration sensor has a safety integrity level (SIL 2) for usage in functional safety applications. For monitoring tasks within the scope of functional safety, 2 relay outputs with adjustable switching thresholds are available. With simultaneous evaluation of both relay outputs by a controller, monitoring of a pre-alarm and main alarm thus is possible, e.g. as part of Condition Monitoring. Furthermore there is an approval for the use of the sensor in hazardous areas.

Dimensions



Technical Data

General specifications

Type	Vibration sensor
Measuring technology	MEMS

Release date: 2024-05-21 Date of issue: 2024-05-21 Filename: 70141684-100006_eng.pdf

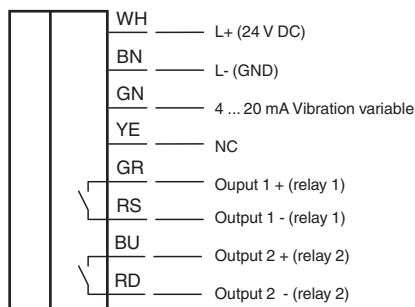
Technical Data

Series	Performance Plus Line	
Measured variable	Vibration velocity	
Measurement range		
Vibration velocity	v-rms	0 ... 16 mm/s
Measurement accuracy	± 0.1 mm/s (calibration point: 90% of the measuring range; 159.2 Hz) Complies with the tolerance requirements of DIN ISO 2954 for measurement range greater than 8 mm/s	
Cross-sensitivity	< 5 % of the partial lateral acceleration, which acts exactly 90° to the measuring axis	
Frequency range	10 ... 1000 Hz	
Averaging time	for v-rms: 2 s	
Functional safety related parameters		
Safety Integrity Level (SIL)	SIL 2	
Performance level (PL)	PL d	
Category	Cat. 2	
MTTF _d	329 a	
Mission Time (T _M)	10 a	
Diagnostic Coverage (DC)	min. 90 %	
Indicators/operating means		
Status indicator	6 LEDs for operating states	
Control elements	4 rotary switches and 1 push button for programming	
Electrical specifications		
Fusing	external fuse is required: 3 A , semi-time-lag , 30 V DC	
Operating voltage	U _B	24 V DC + 7 % / - 10 %
Current consumption	max. 100 mA	
Power consumption	P ₀	2.6 W
Time delay before availability	t _v	15 s (initially self-test functions are executed before safe measured values are available at the output)
Surge protection	up to 2 kV	
Output 1		
Output type	relay	
Switching function	Normally open (NO)	
Switching voltage	max. 30 V DC	
Switching current	max. 1 A	
Output 2		
Output type	relay	
Switching function	Normally open (NO)	
Switching voltage	max. 30 V DC	
Switching current	max. 1 A	
Output 3		
Output type	analog output, current output of the vibration variable	
Output current	4 ... 20 mA	
Load resistor	≤ 500 Ω	
Standard conformity		
Degree of protection	DIN EN 60529, IP66, IP67	
Shock resistance	DIN EN 60068-2-27, 60 g, 6 ms	
Vibration resistance	DIN EN 60068-2-6, 16.5 g, 10 ... 1000 Hz	
Vibration evaluation	DIN ISO 10816/20816	
Functional safety	DIN EN IEC 61508 , SIL 2 EN ISO 13849 , PL d	
Approvals and certificates		
IECEX approval		
Equipment protection level Gb	IECEX ULD 22.0031X	
Equipment protection level Db	IECEX ULD 22.0031X	

Technical Data

ATEX approval		
Equipment protection level Gb		UL 22 ATEX 2869 X
Equipment protection level Db		UL 22 ATEX 2869 X
Ambient conditions		
Ambient temperature		-40 ... 60 °C (-40 ... 140 °F)
Measuring head temperature		-40 ... 85 °C (-40 ... 185 °F) directly at the mounting point
Storage temperature		-40 ... 60 °C (-40 ... 140 °F)
Mechanical specifications		
Connection type		cable
Housing material		Stainless steel 1.4305 / AISI 303
Degree of protection		IP66 / IP67 only in connected state and correctly mounted housing cover
Cable		
Number of cores		8
Length	L	2 m
Mass		880 g
Dimensions		
Height		46 mm
Width		62 mm
Length		77.3 mm
General information		
Scope of delivery		1 x allen head screw M8 x 20 1 x spring washer M8 1 x seal label
Use in the hazardous area		see instruction manuals Only use accessories specified by the manufacturer.

Connection



Accessories

Accessories for this product can be found on the internet at www.pepperl-fuchs.com.

Installation

Further Documentation

The sensor manual is also available as detailed overall documentation. Among other things, installation, grounding concepts and mounting are described there in detail.

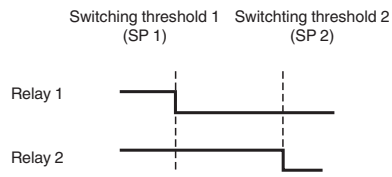
You can access the manual via the product detail page at www.pepperl-fuchs.com.

Note

The correct electrical connection and the selection of the appropriate grounding concept are crucial for malfunction-free operation of the sensor. For detailed information you may refer to the manual of the sensor.

Programming

Adjustable relay outputs



critical state = pre-alarm from SP1/main alarm from SP2 = relay is open = like de-energized state

Release date: 2024-05-21 | Date of issue: 2024-05-21 | Filename: 70141684-100006_eng.pdf