



# RFID Transponder

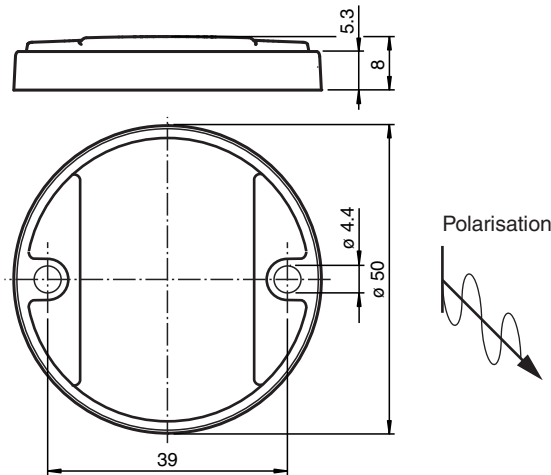
## IUC77-50-FR2 10pcs

- Operating frequency 902 ... 928 MHz
- Complies with EPC Gen2 (ISO/IEC 18000-63)
- Sturdy housing, suitable for rough industrial use
- Optimized for nonconductive surfaces

RFID Transponder



### Dimensions



### Technical Data

General specifications	
Operating frequency	902 ... 928 MHz
Polarization	linear
Memory	
Chip Type	Monza 4QT (Impinj)
Memory Bank 00 (Reserved)	64 Bit
Memory Bank 01 (EPC/UII)	128 Bit
Memory Bank 10 (TID)	96 Bit
Memory Bank 11 (User memory)	512 Bit
Read cycles	unlimited
Write cycles	100000
Data retention period	10 years
Directive conformity	
Radio equipment	
Directive 2014/53/EU	EN 302208
RoHS	
Directive 2011/65/EU (RoHS)	IEC/EN 63000

Release date: 2023-08-09 Date of issue: 2023-08-09 Filename: 70141974\_eng.pdf

**Technical Data****Standard conformity**

Degree of protection	EN 60529
RFID	ISO/IEC 18000-63

**Ambient conditions**

Ambient temperature	-40 ... 85 °C (-40 ... 185 °F)
Storage temperature	-40 ... 160 °C (-40 ... 320 °F)

**Mechanical specifications**

Housing height	8 mm
Housing diameter	50 mm
Degree of protection	IP68
Material	
Housing	PA 6
Installation	
In air	yes
Mass	24 g
Construction type	Cylindrical
Note	Packaging unit, 10-piece