

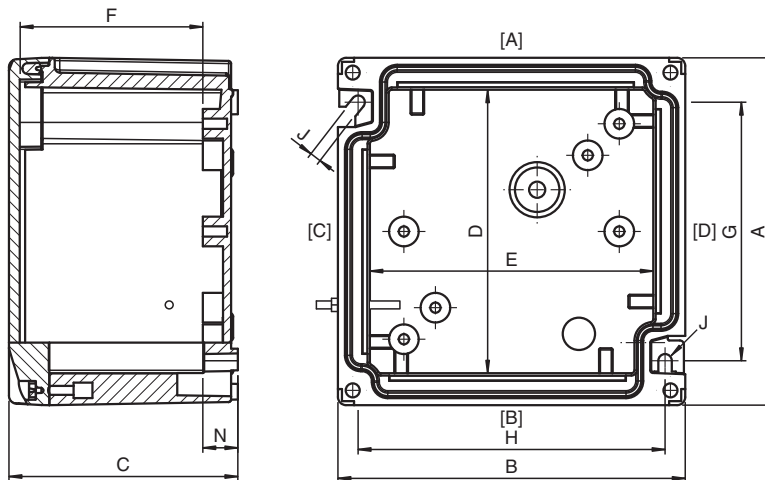
## Junction Box Ex e, Glass-Fiber Reinforced Polyester (GRP)

GR.TJE.13.13.09.B-S0008

- Carbon loaded, antistatic glass-fiber reinforced polyester
- Installation in Zone 1, Zone 2, Zone 21 and Zone 22
- Ex eb, Ex ia and Ex tb certified
- 99 mm x 99 mm x 65 mm
- Modern design with high impact resistance
- Easy installation due to easily accessible mounting points
- Easy cover opening without damage due to multiple pry points
- Top face cable gland polyamide, 1x M20; bottom face cable gland polyamide, 1x M16; left side cable gland polyamide, 1x M16; right side cable gland polyamide, 1x M20
- Image is generic for this device type and may deviate from the specific variant



### Dimensions



Dimension values see data table.

Image and drawing are generic for this device type and may deviate from the specific variant.

### Technical Data

#### Electrical specifications

Operating voltage 690 V AC / DC max.

#### Mechanical specifications

Enclosure cover fully detachable

Cover fixing

Screws M4 stainless steel combination Phillips and slotted screw

Number 2

Tightening torque 1.5 Nm

Cover seal foamed silicone

Degree of protection IP66

Cable entry thru-holes

Cable entry face A

## Technical Data

M20 quantity	1
M20 series	Cable Glands, Plastic
M20 type	CG.PEDS1.M20.*
M20 clamping range	6 ... 12 mm
Cable entry face B	
M16 quantity	1
M16 series	Cable Glands, Plastic
M16 type	CG.PEDS1.M16S.*
M16 clamping range	4 ... 8 mm
Cable entry face C	
M16 quantity	1
M16 series	Cable Glands, Plastic
M16 type	CG.PEDS1.M16S.*
M16 clamping range	4 ... 8 mm
Cable entry face D	
M20 quantity	1
M20 series	Cable Glands, Plastic
M20 type	CG.PEDS1.M20.*
M20 clamping range	6 ... 12 mm
Terminal assembly	
Rail orientation	diagonal
Number of horizontal rails	1
Usable length per horizontal rail	67.5 mm
Terminal type	7 x UT 2.5 2 x UT 2.5 PE
Terminal capacity	2.5 mm <sup>2</sup>
Material	
Enclosure	carbon loaded, antistatic glass-fiber reinforced polyester (GRP)
Finish	inherent color black
Mass	approx. 0.65 kg
Dimensions	
External dimension (A)	129 mm
External dimension (B)	129 mm
External dimension (C)	85 mm
Internal dimension (D)	106 mm
Internal dimension (E)	106 mm
Internal dimension (F)	68 mm
Mounting holes distance (G)	96 mm
Mounting holes distance (H)	114 mm
Mounting holes diameter (J)	5 mm
Thickness of mounting brackets (N)	13 mm
Mounting	2 screws
<b>Ambient conditions</b>	
Ambient temperature	-40 ... 60 °C (-40 ... 140 °F)
<b>Data for application in connection with hazardous areas</b>	
EU-type examination certificate	CML 17 ATEX 3255X
Marking	⊕ II 2 GD Ex eb IIC T* Gb Ex tb IIIC T** °C Db T6/T80 °C @ Ta +40 °C T4/T130 °C @ Ta +60 °C
<b>International approvals</b>	
IECEx approval	IECEx CML 17.0144X
UKCA approval	CML 21 UKEX 3896X
Further approvals	further on request

Release date: 2024-11-04 Date of issue: 2024-11-04 Filename: 70142118\_eng.pdf

## Technical Data

### Conformity

Degree of protection	EN60529
CE marking	0102

### General information

Supplementary information	EC-Type Examination Certificate, Statement of Conformity, Declaration of Conformity, Attestation of Conformity and instructions have to be observed where applicable. For information see <a href="http://www.pepperl-fuchs.com">www.pepperl-fuchs.com</a> .
---------------------------	--