

# Valve Connector with IO-Link Class A

## VMA-2+P-0,2M-PUR-IO-V1-G

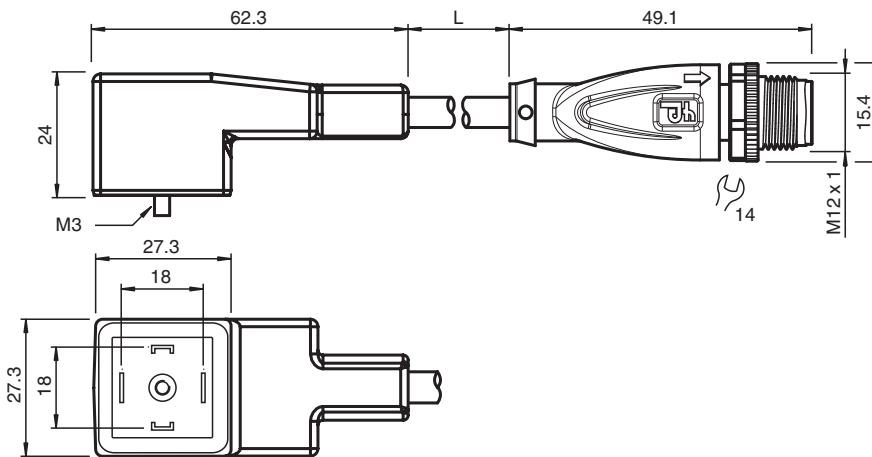


- Comprehensive IO-Link interface fitting to solenoid valves with connection Form A
- IO-Link port class A
- Valve connector according EN 175301-803 A/ISO 4400
- Supplies comprehensive diagnostics data
- Configurable alarms
- Up to 70 % energy savings
- Comprehensive condition monitoring
- Enables predictive maintenance

Valve connector Form A with IO-Link Class A to M12 plug straight A-coded, 3-pin, PUR cable black



### Dimensions



### Technical Data

General specifications			
Connector 1			
Connection		Valve connector DIN	
Construction type		Valve connector Form A	
Style		angled	
Locking		screw connection	
Number of pins		2	
Connector 2			
Connection		plug	
Construction type		M12	
Style		straight	
Locking		screw connection	
Number of pins		3	
Coding		A-coded	
Electrical specifications			
Operating voltage	$U_B$	24 V DC ( 18 ... 30 V DC )	
No-load supply current	$I_0$	< 10 mA (at 24 V DC)	

Release date: 2025-04-17 Date of issue: 2025-04-17 Filename: 70142132\_eng.pdf

## Technical Data

Operating current	I <sub>B</sub>	max. 500 mA (depending on master)
<b>Interface</b>		
Interface type		IO-Link
IO-Link revision		1.1
Device profile		Identification and Diagnosis - I&D
Process data		Input 8 bit - Status signals 1 bit - Input values 7 bit Output 8 bit - Control signals 1 bit - Control values 7 bit
Vendor ID		1 (0x0001)
Device ID		984833 (0x0F0701)
Data transfer rate		COM2 (38.4 kBit/s)
Min. cycle time		2.8 ms
SIO mode support		no
Compatible master port type		Class A Class B
<b>Conformity</b>		
Degree of protection		EN 60529
Communication interface		IEC 61131-9 / IO-Link V1.1.2
Plug connection		Valve connector : DIN EN 175301-803 connector M12 x 1 : IEC 61076-2-101
Flammability		DIN VDE 0482 , DIN EN 50265-2-1 , UL 94
Halogen-free		IEC 60754-1
<b>Ambient conditions</b>		
Ambient temperature		
Connector 1		-20 ... 70 °C (-4 ... 158 °F)
Connector 2		-40 ... 90 °C (-40 ... 194 °F)
Cable, fixed installation		-40 ... 80 °C (-40 ... 176 °F)
Cable, flexing		-25 ... 80 °C (-13 ... 176 °F)
Pollution degree		3
<b>Mechanical specifications</b>		
Connector 1		
Tightening torque		0.4 Nm
Tool installation		screw M3 x 26
Mating cycles		min. 100
Degree of protection		IP65 / IP67
Connector 2		
Tightening torque		0.6 Nm
Tool installation		straight knurling and hexagon nut SW = 14 mm
Mating cycles		min. 100
Degree of protection		IP68 / IP69
Cable		
according to IEC/EN 60228 (DIN VDE 0295) class 5		
Sheath diameter		4.8 mm
Bending radius		> 10 x cable diameter, movable installation > 8 x cable diameter, fixed installation
Sheath stripping force		max. 10 N / 50 mm
Sheath color		grey (similar to RAL 7001)
Number of cores		3
Core cross section		0.34 mm <sup>2</sup>
Cores color		Core 1: brown Core 3: blue Core 4: black
Core construction		19 x 0.15 mm Ø
Length	L	approx. 135 mm
Cable code		Li 9Y 11YM 3 x 0.34

Release date: 2025-04-17 Date of issue: 2025-04-17 Filename: 70142132\_eng.pdf

## Technical Data

Drag chain suitability		
Drag chain cycles		max. 50 / day
Motion velocity		max. 0.3 m/s
Mass		54.5 g
<b>Material</b>		
Halogen-free		yes
<b>Connector 1</b>		
Screw connection		Stainless steel A2
Body		TPU, anthracite
Seal		TPU , integrated
Contact surface		Sn
Flammability		V-0
<b>Connector 2</b>		
Screw connection		Zinc diecast, nickel-plated
Body		TPU, black
Contact surface		gold plated (Au)
Flammability		V-2
<b>Cable</b>		
Sheathing		PUR based on polyether
Cores		bare copper (Cu)
Core insulation		PP
Chemical resistance		good
Microbial resistance		yes
Hydrolysis resistance		yes
Flammability		V-2

## Connection Assignment

