



Control Unit Ex e, Stainless Steel, 3 Functions

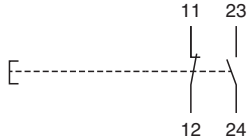
LRS3.D.LRLX.DMMX.E4MX.C.1

- LED indicator, red
- Double pushbutton, red/green - 1x NO / 1x NC - labeling '0 - I'
- Emergency stop mushroom button 40 mm, red, twist-to-release - 1x NO / 1x NC
- Stainless Steel AISI 316L
- Installation in Zone 1, Zone 2, Zone 21 and Zone 22
- Degree of protection IP66
- Ex db eb and Ex tb certified
- Pushbutton with interchangeable inserts
- Bottom face cable gland polyamide, 1x M25
- Wide range of accessories available

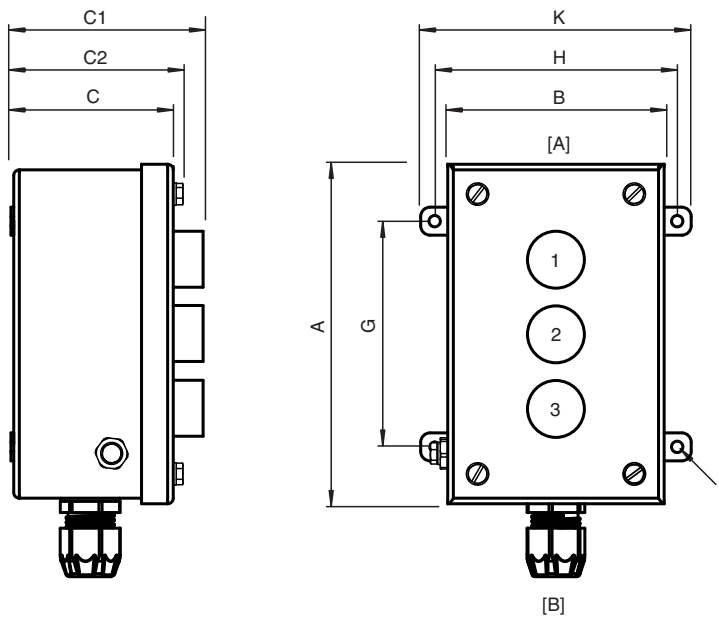


Connection

| | | |
|---|----|----|
| | 11 | 23 |
| 0 | X | |
| I | | X |
| | 12 | 24 |



Dimensions



Dimension values see data table.

Image and drawing are generic for this device type and may deviate from the specific variant.

Technical Data

| Electrical specifications | |
|---------------------------|---|
| Operating voltage | 250 V max. |
| Operating current | 6 A max. |
| Terminal capacity | 2.5 mm ² |
| Terminal torque | 0.8 Nm |
| Function | LED |
| Color | red |
| Usage category | |
| Rated operating voltage | 30 ... 250 V AC / 20 ... 24 V DC |
| Function 2 | double pushbutton |
| Color | red / green |
| Contact configuration | 1x NO / 1x NC |
| Usage category | AC12 - 12 ... 250 V AC - 6 A AC15 - 12 ... 250 V AC - 6 A DC13 - 12 ... 110 V DC - 1 A |
| Number of poles | 2 |
| Operator action | spring return |
| Labeling | 0 - I |
| Note | spare pushbutton inserts included: red '0', green 'I', black '0', black 'I', black 'II', black 'arrow up', black 'arrow down' |
| Function 3 | mushroom button |
| Color | red |
| Contact configuration | 1x NO / 1x NC all NC contacts have a direct opening action for emergency stop functions |
| Usage category | AC12 - 12 ... 250 V AC - 6 A AC15 - 12 ... 250 V AC - 6 A DC13 - 12 ... 110 V DC - 1 A |
| Number of poles | 2 |
| Operator action | latching , twist to release |

Release date: 2023-04-17 Date of issue: 2023-04-17 Filename: 70142248_eng.pdf

Technical Data

| Mechanical specifications | |
|--|---|
| Enclosure range | SR |
| Enclosure cover | fully detachable |
| Cover fixing | stainless steel A4 (V4A) hexagonal head screws |
| Screws | M6 |
| Number | 4 |
| Tightening torque | 3 Nm - 3.5 Nm |
| Degree of protection | IP66 |
| Cable entry | thru-holes direct through body |
| Cable entry face B | |
| M25 quantity | 1 |
| M25 series | Cable Glands, Plastic |
| M25 type | CG.PEDS1.M25.* |
| M25 clamping range | 9 ... 17 mm |
| Defined entry area | face B |
| Material | |
| Enclosure | 1.5 mm AISI 316L, (1.4404) stainless steel |
| Finish | brushed |
| Seal | one piece closed cell silicone |
| Mass | approx. 1.3 kg |
| Dimensions | |
| External dimension (A) | 182 mm |
| External dimension (B) | 116 mm |
| External dimension (C) | 87 mm |
| External dimension with operating element (C1) | 129 mm |
| External dimension with screws (C2) | 92 mm |
| Mounting holes distance (G) | 121 mm |
| Mounting holes distance (H) | 130 mm |
| Mounting holes diameter (J) | 6.1 mm |
| Thickness of mounting brackets (N) | 1.5 mm |
| Maximum external dimension (K) | 145 mm |
| Tightening torque | |
| Nut torque at enclosure (SW1) | see datasheets of cable glands |
| Mounting | 4 screws |
| Grounding | M6 internal/external brass nickel-plated grounding bolt |
| Ambient conditions | |
| Ambient temperature | -40 ... 55 °C (-40 ... 131 °F) @ T4 -40 ... 40 °C (-40 ... 104 °F) @ T6 |
| Data for application in connection with hazardous areas | |
| EU-type examination certificate | CML 16 ATEX 3009X |
| Marking | ⊕ II 2 GD Ex db eb IIC T* Gb Ex tb IIIC T** °C Db T4/T130 °C @ Ta +55 °C (T6/T80 °C @ Ta +40 °C on request) |
| International approvals | |
| IECEX approval | IECEX CML 16.0008X |
| UKCA approval | CML 22 UKEX 2550X |
| Further approvals | further on request |
| Conformity | |
| Degree of protection | EN60529 |
| Usage category | IEC / EN 60947 |
| CE marking | 0080 or 0102, see type label |
| General information | |

Release date: 2023-04-17 Date of issue: 2023-04-17 Filename: 70142248_eng.pdf

Technical Data

| | |
|---------------------------|--|
| Ordering information | This device will be delivered completely configured and assembled ready for use. For configuration details please contact Customer Service. |
| Supplementary information | EC-Type Examination Certificate, Statement of Conformity, Declaration of Conformity, Attestation of Conformity and instructions have to be observed where applicable. For information see www.pepperl-fuchs.com . |
| Accessories | |
| Optional accessories | engraved traffolyte tag label engraved AISI 316L stainless steel tag label color in-fill stainless steel tag label M6 internal/external stainless steel grounding bolt |