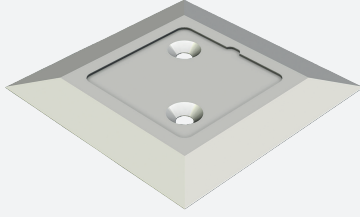


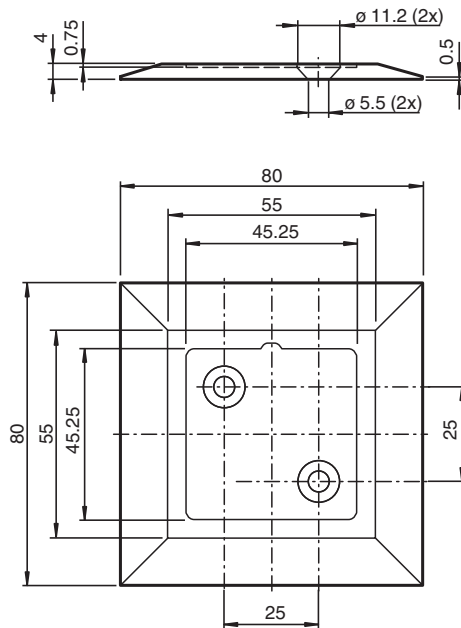
Drive-over profile plate PGV-PP-SM-TAGM2x2



■ Sturdy construction

Drive-over plate to mounting on the floor

Dimensions



Technical Data

General specifications

Length	80 mm
Width	80 mm

Ambient conditions

Operating temperature	-40 ... 80 °C (-40 ... 176 °F)
Installation temperature	10 ... 40 °C (50 ... 104 °F)

Mechanical specifications

Material thickness	4 mm
Material	AlMg4.5Mn0.7
Surface	ELOX-E0EV1-15

Release date: 2022-07-04 Date of issue: 2022-07-04 Filename: 70143232_eng.pdf

Technical Data

Mass

46 g

Mounting

Drive-over profile plates are screwed directly to the floor. Alternatively, the drive-over profile plates can be glued to the subfloor. The corresponding metal control code bar is then inserted into the drive-over profile rails via the self-adhesive rear side. If necessary, metal control code bars that have been glued in can be replaced by levering them out.