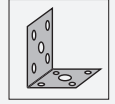


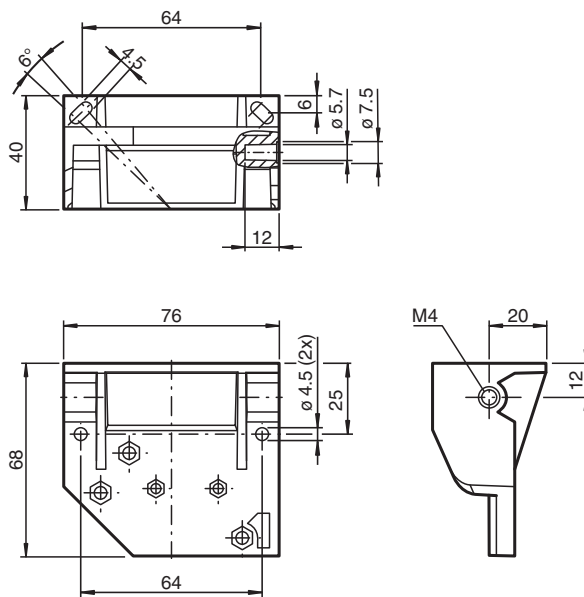
Mounting aid MH-R20x/F77-03



- Wide range of mounting options
- Mounting bracket with deviation mirror for stationary installations
- Particularly suitable for conveyor systems

Mounting aid

Dimensions



Technical Data

General specifications

Beam deviation angle	90 °
----------------------	------

Mechanical specifications

Height	40 mm
Depth	76 mm
Width	68 mm
Material	PA6-GB30 Deviation mirror: polystyrene mirrored
Mass	approx. 40 g
Note	Fixing screws included with delivery

Technical Data**Suitable series**

Series	R200 , R201 , F77
--------	-------------------