



Female connector, field-attachable

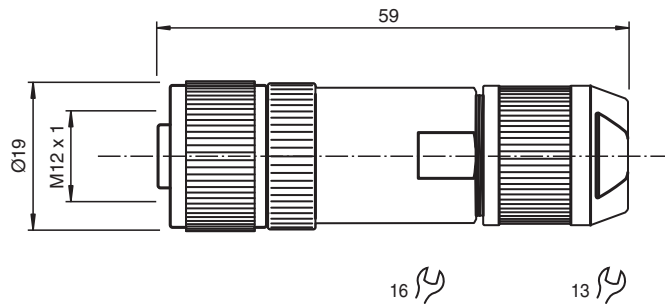
V1D-G-ABG-PG9-Q3

- D coding for Ethernet
- Conforms to PROFINET
- Field-attachable, shieldable
- Metal housing
- Insulation displacement connection
- Shield connected to connector

Female connector M12 straight D-coded 4-pin, shielded, for cable diameter 4 - 8 mm, field-attachable, insulation displacement connection



Dimensions



Technical Data

General specifications

Connector 1		
Connection		socket
Construction type		M12
Style		angled
Locking		screw connection
Number of pins		4
Coding		D-coded

Electrical specifications

Operating voltage	U_B	max. 48 V AC / 60 V DC
Operating current	I_B	max. 1.75 A
Insulation resistance		min. 100 MΩ

Conformity

Degree of protection		EN 60529
Fieldbus standard		PROFINET
Plug connection		connector M12 x 1 : IEC 61076-2-101

Release date: 2025-01-30 Date of issue: 2025-01-30 Filename: 70143670_eng.pdf

Technical Data

Component category	CAT5 (IEC 11801)
Flammability	UL 94
Ambient conditions	
Ambient temperature	-40 ... 85 °C (-40 ... 185 °F)
Pollution degree	3
Mechanical specifications	
Plug connector	
Tightening torque	0.4 Nm knurl / 0.8 Nm plug insert / 3.0 Nm pressure nut
Tool installation	straight knurling , SW = 16 mm , SW = 13 mm
Mating cycles	min. 100
Shielding	shield connected to connector
Degree of protection	IP67
Connection	Insulation displacement connection for 0.25 ... 0.34 mm ²
Cable	
Sheath diameter	4 ... 8 mm
Core cross section	0.34 mm ² / 22 AWG max.
Mass	51.8 g
Material	
Plug connector	
Screw connection	brass, nickel-plated
Body	Zinc diecast, nickel-plated
Seal	Neoprene
Contact surface	Ni/Au
Flammability	V-0

Connection

