



Handheld reader OHV210-F229-B15

- Reads all standard 1-D and 2-D codes
- Wireless Bluetooth connection
- Dual lens for large read range
- Reads from reflective surfaces
- Use as stationary code reader possible
- Convenient output string formatting
- Programmable with JavaScript
- Audible, tactile, and visual user feedback
- Replaceable battery with status indicator
- Degree of protection IP65

Handheld reader with Bluetooth for all common 1-D and 2-D codes

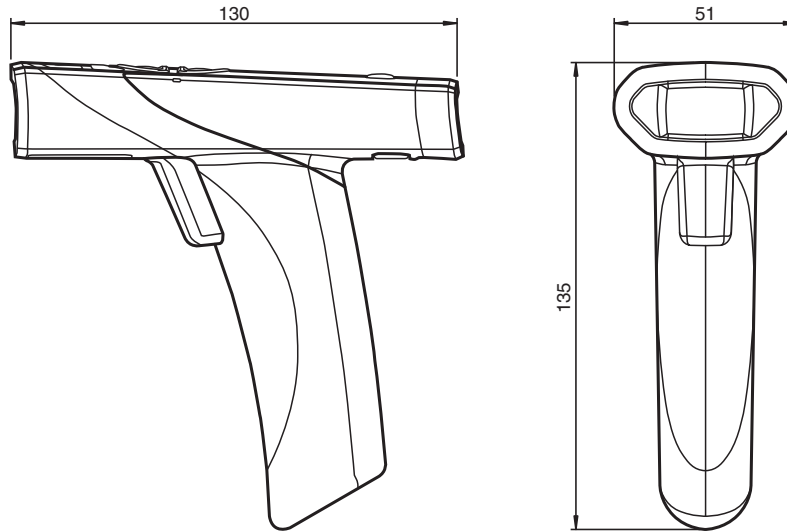


Function

The OHV210* handheld is a compact handheld reader for all common 1-D and 2-D codes. Special technology to prevent glare allows the device to accurately read codes on highly reflective surfaces. With its patented dual lens and a resolution of 1.2 million pixels, it can read both small and large codes from a wide range of distances. A different-colored target projection makes it easier to see the relevant code. Feedback comes in the form of a visual or audible signal or a vibration.

Using the Vision Configurator software, rule sets can be created for formatting read results without the need for extensive programming work. This facilitates integration into ERP systems. The read data is transferred via the Bluetooth interface or by plugging the handheld reader into the charger. Thanks to its robust housing and IP65 protection, the handheld reader is also suitable for outdoor use.

Dimensions



Technical Data

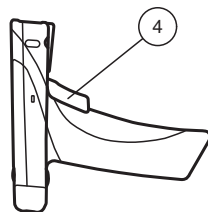
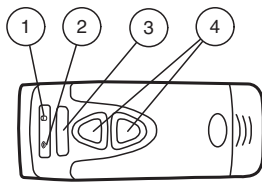
General specifications	
Light type	Integrated LED lightning (red)
Readable codes	1-D Codes: Codabar, Code 11, Code 32, Code 39, Code 93, Code 128, Interleaved 2 of 5, GS1 DataBar, Hong Kong 2 of 5, Matrix 2 of 5, MSI Plessey, NEC 2 of 5, Pharmacode, Plessey, Straight 2 of 5, Telepen, Trioptic, UPC/EAN, BC412 Gestapelte 1-D Codes: Codablock F, Code 49, GS1 Composite (CC-A/CC-B/CC-C), MicroPDF 2-D Codes: Aztec Code, Data Matrix, Data Matrix Rectangular, Grid Matrix, Han Xin, Maxicode, Micro QR Code, QR Code, QR Model 1 Postal Codes: Australian Post, Intelligent Mail, Japan Post, KIX Code, Korea Post, Planet, Postnet, UK Royal Mail, UPU ID-tags
Read distance	40 ... 310 mm depending on the code type
Reading field	High density reading range: 30° horizontal by 20° vertical Wide reading range: 50° horizontal by 33.5° vertical
Modul size	min. 0.1 mm
Ambient light limit	96890 Lux
Target velocity	Stop
Nominal ratings	
Camera	
Type	CMOS
Number of pixels	1280 x 960
Image recording	real-time , manually triggered
Indicators/operating means	
Function indicator	3 LEDs
Key	3 programmable function keys
Electrical specifications	

Release date: 2025-02-25 Date of issue: 2025-02-25 Filename: 70143893_eng.pdf

Technical Data

Supply	from Li-Ion battery
Interface	
Physical	Bluetooth 5.0 LE , USB 2.0
Transmitter frequency	2.4 GHz
Compliance with standards and directives	
Standard conformity	
Electromagnetic compatibility	EN 61000-6-1:2007 EN 61000-6-2:2005/AC:2005 EN 61000-6-3:2007/A1:2011/AC:2012 EN 61000-6-4:2007/A1:2011
Radio spectrum	ETSI EN 300328 V2.2.2
Standards	EN 50581:2012
Approvals and certificates	
FCC approval	FCC-ID: HSW2832 (handheld reader), X8WBT840 (charger)
Ambient conditions	
Ambient temperature	-20 ... 55 °C (-4 ... 131 °F)
Storage temperature	-30 ... 65 °C (-22 ... 149 °F)
Relative humidity	5 ... 95 % non-condensing
Shock and impact resistance	Withstands multiple drops from 1.8 m / 6 ft onto a concrete surface
Mechanical specifications	
Degree of protection	IP65
Material	
Housing	plastic
Mass	177 g (incl. battery)
Dimensions	130 mm x 51 mm x 135 mm (l x w x h)
Height	135 mm
Width	51 mm
Length	130 mm
General information	
Scope of delivery	Handheld reader + Lithium ion battery 1200 mAh + charger

Assembly



1	Memory access	Green
2	Bluetooth	Green
3	Function indicator	Green
4	Trigger buttons	