



## Switch Disconnecter Ex e 25 A 3 Pole, Stainless Steel Enclosure

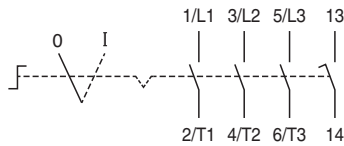
DIS.S.025.3P.1NO.SR

- Switch disconnecter, 2 position with left OFF - 3x NO
- Auxiliary contacts - 1x NO
- Labeling '0 - I'
- Padlockable in three positions
- Installation in Zone 1, Zone 2, Zone 21 and Zone 22
- Stainless Steel AISI 316L
- Bottom face cable glands polyamide, 2x M25 1x M20
- Ex db eb and Ex tb certified
- Degree of protection: IP 66
- Return Flange Sealing provides Drain Channel

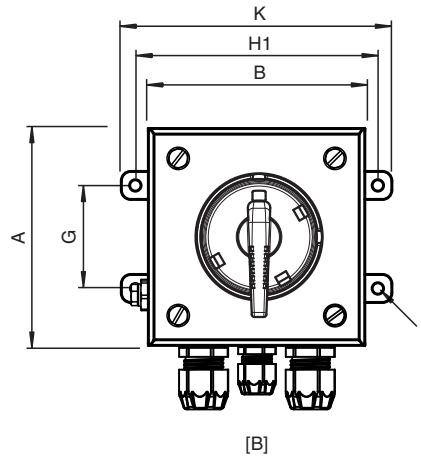
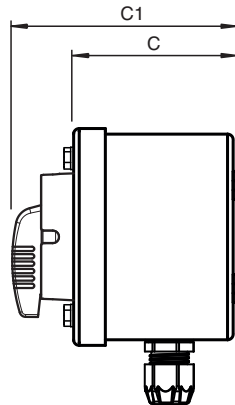


### Connection

|   |      |      |      |    |
|---|------|------|------|----|
|   | 1/L1 | 3/L2 | 5/L3 | 13 |
| 0 |      |      |      |    |
| I | X    | X    | X    | X  |
|   | 2/T1 | 4/T2 | 6/T3 | 14 |



### Dimensions



Release date: 2023-10-19 Date of issue: 2023-10-19 Filename: 70143985\_eng.pdf

## Dimensions

Dimension values see data table.

Image and drawing are generic for this device type and may deviate from the specific variant.

## Technical Data

| <b>Electrical specifications</b>  |   |
|-----------------------------------|---|
| Operating voltage                 | 690 V max.  |
| Rated impulse withstand voltage   | 6 kV  |
| Rated frequency                   | 50/60 Hz  |
| Short circuit current limitation  | recommended: 35 A, gG   |
| Operating current                 | 25 A max.   |
| Terminal capacity                 |   |
| Main terminals capacity           | 2x 1.5 ... 4 mm <sup>2</sup>  |
| Main terminals torque             | 2 Nm  |
| Grounding terminals capacity      | 2x 1.5 ... 4 mm <sup>2</sup>  |
| Grounding terminals torque        | 2 Nm  |
| Rated insulation voltage          | 800 V   |
| Function                          | switch disconnecter   |
| Color                             | black   |
| Contact configuration             | 3x NO   |
| Switching configuration           | 2 position with left OFF  |
| Usage category                    | AC23: 690 V AC - 16 A / 500 V AC - 20 A / 400 V AC - 25 A<br>AC3: 690 V AC - 16 A / 500 V AC - 20 A / 400 V AC - 25 A |
| Number of poles                   | 3   |
| Auxiliary contacts                | 1x NO delayed, advanced opening   |
| Auxiliary contacts usage category | AC11: 500 V AC - 20 A   |
| Operator action                   | engage - engage   |
| Lockable                          | in 'OFF' position threefold padlockable   |
| Labeling                          | 0 - I   |
| <b>Mechanical specifications</b>  |   |
| Enclosure range                   | SR  |
| Enclosure cover                   | fully detachable  |
| Cover fixing                      | stainless steel A4 (V4A) hexagonal head screws  |
| Screws                            | M6  |
| Number                            | 4   |
| Tightening torque                 | 3 Nm - 3.5 Nm   |
| Cover seal                        | silicone  |
| Degree of protection              | IP66  |
| Cable entry                       | thru-holes direct through body  |
| Cable entry face B                |   |
| M20 quantity                      | 1   |
| M20 series                        | Cable Glands, Plastic   |
| M20 type                          | CG.PEDS1.M20.*  |
| M20 clamping range                | 6 ... 12 mm   |
| M25 quantity                      | 2   |
| M25 series                        | Cable Glands, Plastic   |
| M25 type                          | CG.PEDS1.M25L.*   |
| M25 clamping range                | 10 ... 18 mm  |
| Defined entry area                | face B  |
| Material                          |   |
| Enclosure                         | 1.5 mm AISI 316L, (1.4404) stainless steel  |
| Finish                            | brushed   |
| Mass                              | approx. 2.5 kg  |
| Dimensions                        |   |

Release date: 2023-10-19 Date of issue: 2023-10-19 Filename: 70143985\_eng.pdf

## Technical Data

|  |  |
|--|--|
| External dimension (A)   | 156 mm   |
| External dimension (B)   | 156 mm   |
| External dimension (C)   | 94 mm  |
| External dimension with operating element (C1)                 | 144 mm   |
| Mounting holes distance (G)                                    | 95 mm  |
| Mounting holes distance (H1)                                   | 170 mm   |
| Mounting holes diameter (J)                                    | 6.1 mm   |
| Thickness of mounting brackets (N)                             | 1.5 mm   |
| Maximum external dimension (K)                                 | 185 mm   |
| <b>Tightening torque</b>                                       |  |
| Nut torque at enclosure (SW1)                                  | see datasheets of cable glands   |
| Mounting   | 4 screws , fixed mounting brackets   |
| Grounding  | M6 internal/external brass nickel-plated grounding bolt  |
| <b>Ambient conditions</b>                                      |  |
| Ambient temperature  | -40 ... 55 °C (-40 ... 131 °F) @ T4  |
| <b>Data for application in connection with hazardous areas</b> |  |
| EU-type examination certificate                                | CML 16 ATEX 3009X  |
| Marking  | Ⓜ II 2 GD<br>Ex db eb IIC T* Gb<br>Ex tb IIIC T** °C Db<br>T4/T130 °C @ Ta +55 °C  |
| <b>International approvals</b>                                 |  |
| IECEX approval   | IECEX CML 16.0008X   |
| UKCA approval  | CML 22 UKEX 2550X  |
| Further approvals  | further on request   |
| <b>Conformity</b>  |  |
| Degree of protection   | EN 60529   |
| Usage category   | IEC / EN 60947   |
| CE marking   | 0080 or 0102, see type label   |
| <b>General information</b>                                     |  |
| Supplementary information                                      | EC-Type Examination Certificate, Statement of Conformity, Declaration of Conformity, Attestation of Conformity and instructions have to be observed where applicable. For information see <a href="http://www.pepperl-fuchs.com">www.pepperl-fuchs.com</a> . |