

## Safety Switch Ex e 25 A 3 Pole, Stainless Steel Enclosure

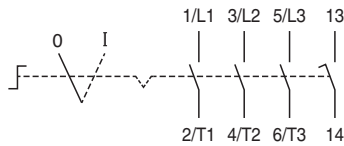
SAF.S.025.3P.1NO.SR

- Safety switch, 2 position with left OFF - 3x NO
- Auxiliary contacts - 1x NO
- Labeling '0 - I'
- Padlockable in three positions
- Installation in Zone 1, Zone 2, Zone 21 and Zone 22
- Stainless Steel AISI 316L
- Bottom face cable glands polyamide, 2x M25 1x M20
- Ex db eb and Ex tb certified
- Degree of protection: IP 66
- Return Flange Sealing provides Drain Channel

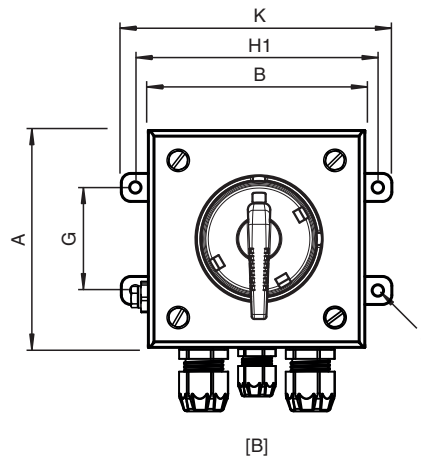
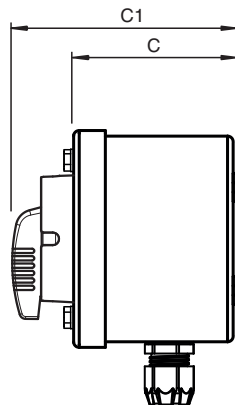


### Connection

	1/L1	3/L2	5/L3	13
0				
I	X	X	X	X
	2/T1	4/T2	6/T3	14



### Dimensions



## Dimensions

Dimension values see data table.  
Image and drawing are generic for this device type and may deviate from the specific variant.

## Technical Data

<b>Electrical specifications</b>	
Operating voltage	690 V max.
Rated impulse withstand voltage	6 kV
Rated frequency	50/60 Hz
Short circuit current limitation	recommended: 35 A, gG
Operating current	25 A max.
Terminal capacity	
Main terminals capacity	2x 1.5 ... 4 mm <sup>2</sup>
Main terminals torque	2 Nm
Grounding terminals capacity	2x 1.5 ... 4 mm <sup>2</sup>
Grounding terminals torque	2 Nm
Rated insulation voltage	800 V
Function	Safety Switch
Color	red-yellow
Contact configuration	3x NO
Switching configuration	2 position with left OFF
Usage category	AC23: 690 V AC - 16 A / 500 V AC - 20 A / 400 V AC - 25 A AC3: 690 V AC - 16 A / 500 V AC - 20 A / 400 V AC - 25 A
Number of poles	3
Auxiliary contacts	1x NO delayed, advanced opening
Auxiliary contacts usage category	AC11: 500 V AC - 20 A
Operator action	engage - engage
Lockable	in 'OFF' position threefold padlockable
Labeling	0 - I
<b>Mechanical specifications</b>	
Enclosure range	SR
Enclosure cover	fully detachable
Cover fixing	stainless steel A4 (V4A) hexagonal head screws
Screws	M6
Number	4
Tightening torque	3 Nm - 3.5 Nm
Cover seal	foamed silicone
Safety	cover detachable only when operator in 'ON' position
Degree of protection	IP66
Cable entry	thru-holes direct through body
Cable entry face B	
M20 quantity	1
M20 series	Cable Glands, Plastic
M20 type	CG.PEDS1.M20.*
M20 clamping range	6 ... 12 mm
M25 quantity	2
M25 series	Cable Glands, Plastic
M25 type	CG.PEDS1.M25.*
M25 clamping range	9 ... 17 mm
Defined entry area	face B
Material	
Enclosure	1.5 mm AISI 316L, (1.4404) stainless steel
Finish	brushed
Mass	approx. 2.5 kg

Release date: 2023-10-19 Date of issue: 2023-10-19 Filename: 70143988\_eng.pdf

## Technical Data

<b>Dimensions</b>	
External dimension (A)	156 mm
External dimension (B)	156 mm
External dimension (C)	91.5 mm
External dimension with operating element (C1)	144 mm
Mounting holes distance (G)	95 mm
Mounting holes distance (H1)	170 mm
Mounting holes diameter (J)	6.1 mm
Thickness of mounting brackets (N)	1.5 mm
Maximum external dimension (K)	185 mm
<b>Tightening torque</b>	
Nut torque at enclosure (SW1)	see datasheets of cable glands
Mounting	4 screws , fixed mounting brackets
Grounding	M6 internal/external brass nickel-plated grounding bolt
<b>Ambient conditions</b>	
Ambient temperature	-40 ... 55 °C (-40 ... 131 °F) @ T4
<b>Data for application in connection with hazardous areas</b>	
EU-type examination certificate	CML 16 ATEX 3009X
Marking	Ⓜ II 2 GD Ex db eb IIC T* Gb Ex tb IIIC T** °C Db T4/T130 °C @ Ta +55 °C
<b>International approvals</b>	
IECEX approval	IECEX CML 16.0008X
UKCA approval	CML 22 UKEX 2550X
Further approvals	further on request
<b>Conformity</b>	
Degree of protection	EN60529
Usage category	IEC / EN 60947
CE marking	0102
<b>General information</b>	
Supplementary information	EC-Type Examination Certificate, Statement of Conformity, Declaration of Conformity, Attestation of Conformity and instructions have to be observed where applicable. For information see <a href="http://www.pepperl-fuchs.com">www.pepperl-fuchs.com</a> .