

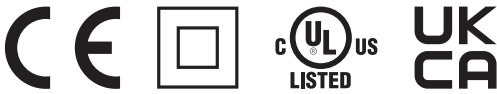


Inductive sensor

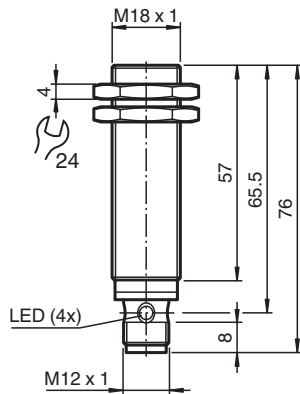
NAB5-18GM60-I-V1

- Inductive analog sensor
- Output 4 mA ... 20 mA
- Measuring range 0 ... 5 mm
- Flush mounting
- Flexible use with versatile mounting opportunities

Inductive distance sensor with analog current output



Dimensions



Technical Data

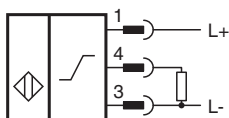
General specifications		
Output type		Analog current output
Installation		flush
Output polarity		DC
Actuating element		mild steel, e. g. 1.0037, SR235JR (formerly St37-2) 18 mm x 18 mm x 1 mm
Measuring range		0 ... 5 mm
Output type		3-wire
Nominal ratings		
Operating voltage	U_B	15 ... 30 V
Reverse polarity protection		reverse polarity protected
Short-circuit protection		current limited
Linearity error		± 3 % of full-scale value
Temperature drift		± 10 % of full-scale value
Repeat accuracy		± 1 % of full-scale value
Recovery time		≤ 50 ms
No-load supply current	I_0	15 mA

Release date: 2025-06-06 Date of issue: 2025-06-06 Filename: 70145056-0029_eng.pdf

Technical Data

Status indicator		Multihole-LED, yellow permanently on: damping element within measuring range slowly flashing (2 Hz): damping element outside measuring range fast flashing (10 Hz): fault state
Functional safety related parameters		
MTTF _d		929 a
Mission Time (T _M)		20 a
Diagnostic Coverage (DC)		0 %
Analog output		
Output type		4 ... 20 mA
Slope of output characteristic		3.2 mA / mm
Load resistor		≤ 500 Ω
Settling time		≤ 100 ms
Conformity		
PWIS conformity		VDMA 24364-A1/B2/C1/T100°C-W
Compliance with standards and directives		
Standard conformity		
Standards		EN IEC 60947-5-2 EN IEC 60947-5-7
Approvals and certificates		
Protection class		II
Rated insulation voltage	U _i	30 V
Rated impulse withstand voltage	U _{imp}	500 V
UL approval		cULus Listed, General Purpose, Class 2 Power Source
CCC approval		CCC approval / marking not required for products rated ≤36 V
Ambient conditions		
Ambient temperature		-25 ... 70 °C (-13 ... 158 °F)
Storage temperature		-40 ... 85 °C (-40 ... 185 °F)
Mechanical specifications		
Connection type		Connector plug
Housing material		brass , white bronze coated
Sensing face		PBT , green
Degree of protection		IP65/IP67/IP68
Connector		
Threading		M12 x 1
Number of pins		4
Mass		68 g
Dimensions		
Length		76 mm
Diameter		18 mm
Mounting		with nuts, M18
Tightening torque		≤ 30 Nm
General information		
Scope of delivery		2 self locking nuts in scope of delivery

Connection Assignment



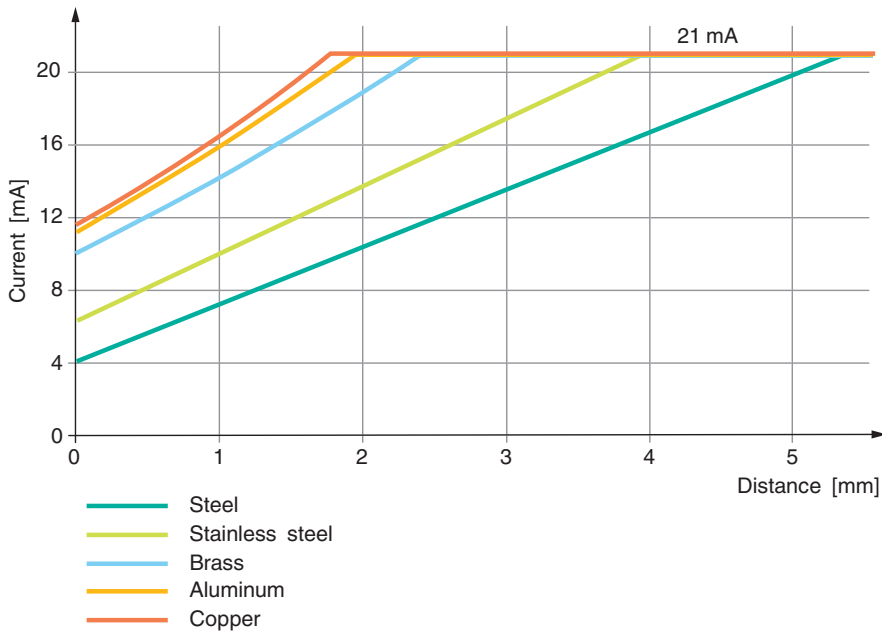
Connection Assignment



Wire colors in accordance with EN 60947-5-2

1	BN	(brown)
2	WH	(white)
3	BU	(blue)
4	BK	(black)

Characteristic Curve



Release date: 2025-06-06 Date of issue: 2025-06-06 Filename: 70145056-0029_eng.pdf