

# Inductive sensor

## NAN8-18GM60-I-V1

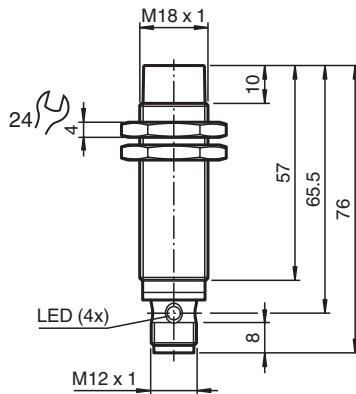


- Inductive analog sensor
- Output 4 mA ... 20 mA
- Measuring range 0 ... 8 mm
- Non-flush mountable
- Flexible use with versatile mounting opportunities

Inductive distance sensor with analog current output



### Dimensions



### Technical Data

#### General specifications

Output type	Analog current output	
Installation	non-flush	
Output polarity	DC	
Actuating element	mild steel, e. g. 1.0037, SR235JR (formerly St37-2) 24 mm x 24 mm x 1 mm	
Measuring range	0 ... 8 mm	

Output type	3-wire	
-------------	--------	--

#### Nominal ratings

Operating voltage	$U_B$	15 ... 30 V
Reverse polarity protection	reverse polarity protected	
Short-circuit protection	current limited	
Linearity error	± 3 % of full-scale value	
Temperature drift	± 10 % of full-scale value	
Repeat accuracy	± 1 % of full-scale value	
Recovery time	≤ 50 ms	
No-load supply current	$I_0$	12 mA
Status indicator	Multihole-LED, yellow	

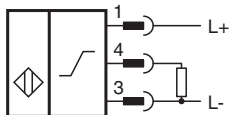
#### Functional safety related parameters

Release date: 2025-03-11 Date of issue: 2025-03-11 Filename: 70145056-0033\_eng.pdf

## Technical Data

MTTF <sub>d</sub>		929 a
Mission Time (T <sub>M</sub> )		20 a
Diagnostic Coverage (DC)		0 %
<b>Analog output</b>		
Output type		4 ... 20 mA
Slope of output characteristic		2 mA / mm
Load resistor		≤ 500 Ω
Settling time		≤ 100 ms
<b>Conformity</b>		
PWIS conformity		VDMA 24364-A1/B2/C1/T100°C-W
<b>Compliance with standards and directives</b>		
Standard conformity		
Standards		EN IEC 60947-5-2 EN IEC 60947-5-7
<b>Approvals and certificates</b>		
Protection class		II
Rated insulation voltage	U <sub>i</sub>	30 V
Rated impulse withstand voltage	U <sub>imp</sub>	500 V
UL approval		cULus Listed, General Purpose, Class 2 Power Source
CCC approval		CCC approval / marking not required for products rated ≤36 V
<b>Ambient conditions</b>		
Ambient temperature		-25 ... 70 °C (-13 ... 158 °F)
Storage temperature		-40 ... 85 °C (-40 ... 185 °F)
<b>Mechanical specifications</b>		
Connection type		Connector plug
Housing material		brass , white bronze coated
Sensing face		PBT , green
Degree of protection		IP65/IP67/IP68
Connector		
Threading		M12 x 1
Number of pins		3
Mass		58 g
Dimensions		
Diameter		18 mm
Mounting		with nuts, M18
Tightening torque		≤ 30 Nm
<b>General information</b>		
Scope of delivery		2 self locking nuts in scope of delivery

## Connection



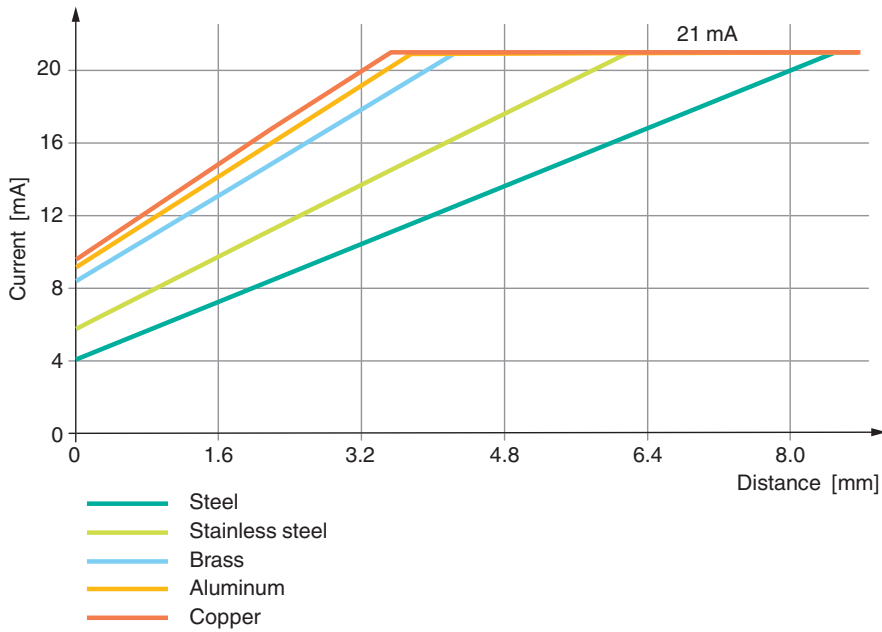
## Connection Assignment



Wire colors in accordance with EN 60947-5-2

1	BN	(brown)
2	WH	(white)
3	BU	(blue)
4	BK	(black)

## Characteristic Curve



Release date: 2025-03-11 Date of issue: 2025-03-11 Filename: 70145056-0033\_eng.pdf