

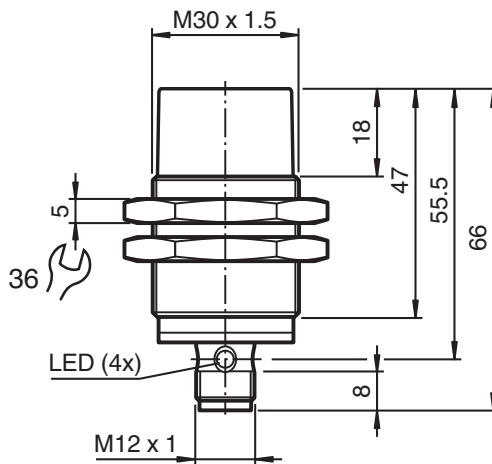
Inductive sensor NAN20-30GM50-I-V1

- Inductive analog sensor
- Output 4 mA ... 20 mA
- Measuring range 0 ... 20 mm
- Non-flush mountable
- Flexible use with versatile mounting opportunities

Inductive distance sensor with analog current output



Dimensions



Technical Data

General specifications

Output type	Analog current output	
Installation	non-flush	
Output polarity	DC	
Actuating element	mild steel, e. g. 1.0037, SR235JR (formerly St37-2) 60 mm x 60 mm x 1 mm	
Measuring range	0 ... 20 mm	

Output type	3-wire	
-------------	--------	--

Nominal ratings

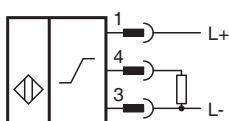
Operating voltage	U_B	15 ... 30 V
Reverse polarity protection	reverse polarity protected	
Short-circuit protection	current limited	
Linearity error	± 3 % of full-scale value	
Temperature drift	± 10 % of full-scale value	
Repeat accuracy	± 1 % of full-scale value	
Recovery time	≤ 50 ms	
No-load supply current	I_0	12 mA

Release date: 2025-06-06 Date of issue: 2025-06-06 Filename: 70145056-0051_eng.pdf

Technical Data

Status indicator		Multihole-LED, yellow permanently on: damping element within measuring range slowly flashing (2 Hz): damping element outside measuring range fast flashing (10 Hz): fault state
Functional safety related parameters		
MTTF _d		929 a
Mission Time (T _M)		20 a
Diagnostic Coverage (DC)		0 %
Analog output		
Output type		4 ... 20 mA
Slope of output characteristic		0.8 mA / mm
Load resistor		≤ 500 Ω
Settling time		≤ 100 ms
Conformity		
PWIS conformity		VDMA 24364-A1/B2/C1/T100°C-W
Compliance with standards and directives		
Standard conformity		
Standards		EN IEC 60947-5-2 EN IEC 60947-5-7
Approvals and certificates		
Protection class		II
Rated insulation voltage	U _i	30 V
Rated impulse withstand voltage	U _{imp}	500 V
UL approval		cULus Listed, General Purpose, Class 2 Power Source
CCC approval		CCC approval / marking not required for products rated ≤36 V
Ambient conditions		
Ambient temperature		-25 ... 70 °C (-13 ... 158 °F)
Storage temperature		-40 ... 85 °C (-40 ... 185 °F)
Mechanical specifications		
Connection type		Connector plug
Housing material		brass , white bronze coated
Sensing face		PBT , green
Degree of protection		IP65/IP67/IP68
Connector		
Threading		M12 x 1
Number of pins		3
Mass		136 g
Dimensions		
Length		66 mm
Diameter		30 mm
Mounting		with nuts, M30
Tightening torque		≤ 30 Nm
General information		
Scope of delivery		2 self locking nuts in scope of delivery

Connection Assignment



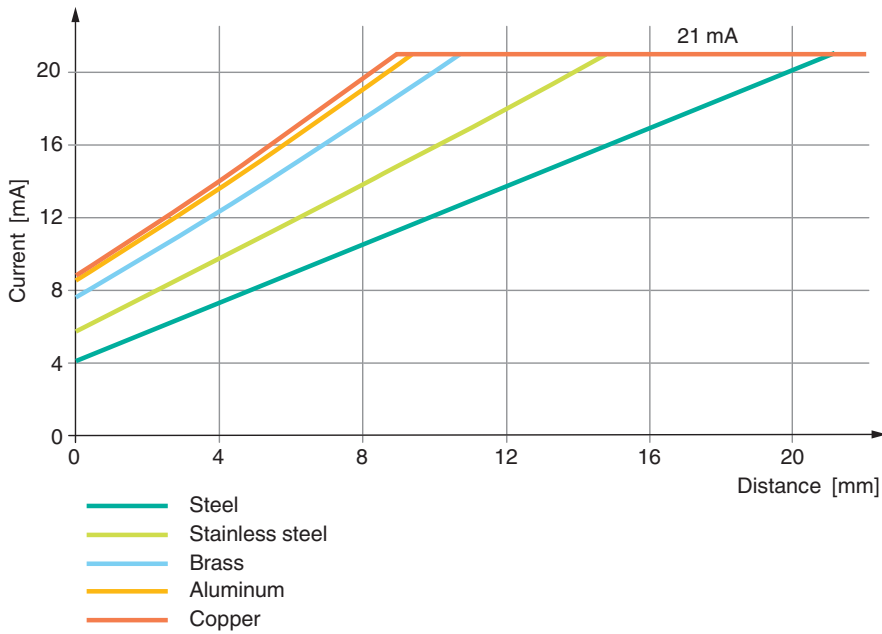
Connection Assignment



Wire colors in accordance with EN 60947-5-2

1	BN	(brown)
2	WH	(white)
3	BU	(blue)
4	BK	(black)

Characteristic Curve



Release date: 2025-06-06 Date of issue: 2025-06-06 Filename: 70145056-0051_eng.pdf