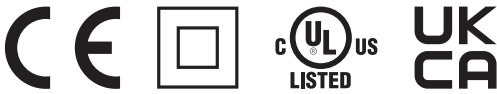




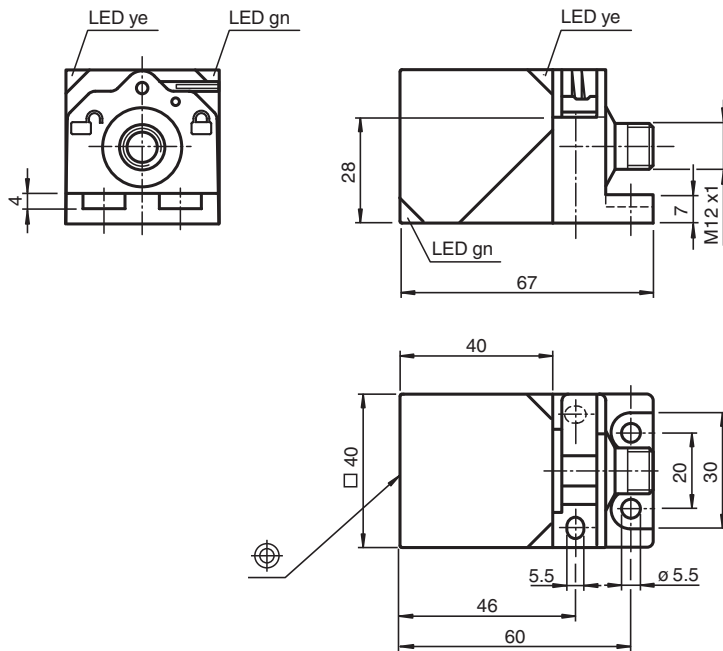
## Inductive sensor NAN30-L2-U-V1

- Inductive analog sensor
- Output 0 V ... 10 V
- Measuring range 0 ... 30 mm
- Non-flush mountable
- 4-way LED indicator
- Sensor head bidirectional and rotatable
- Quick mounting bracket

Inductive distance sensor with analog voltage output



### Dimensions



### Technical Data

#### General specifications

Output type	Analog voltage output
Installation	non-flush
Output polarity	DC
Actuating element	mild steel, e. g. 1.0037, SR235JR (formerly St37-2) 90 mm x 90 mm x 1 mm
Measuring range	0 ... 30 mm
Output type	3-wire

#### Nominal ratings

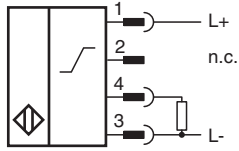
Operating voltage	$U_B$	15 ... 30 V
-------------------	-------	-------------

Release date: 2025-06-06 Date of issue: 2025-06-06 Filename: 70145057\_eng.pdf

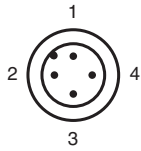
## Technical Data

Reverse polarity protection		reverse polarity protected
Short-circuit protection		current limited
Linearity error		± 3 % of full-scale value
Temperature drift		± 10 % of full-scale value
Repeat accuracy		± 1 % of full-scale value
Recovery time		≤ 50 ms
No-load supply current	$I_0$	12 mA
Operating voltage indicator		LED, green
Status indicator		LED, yellow permanently on: damping element within measuring range slowly flashing (2 Hz): damping element outside measuring range fast flashing (10 Hz): fault state
<b>Functional safety related parameters</b>		
MTTF <sub>d</sub>		854 a
Mission Time (T <sub>M</sub> )		20 a
Diagnostic Coverage (DC)		0 %
<b>Analog output</b>		
Output type		0 ... 10 V
Slope of output characteristic		0.3 mA / mm
Load resistor		≥ 500 Ω
Settling time		≤ 100 ms
<b>Conformity</b>		
PWIS conformity		VDMA 24364-A1/B2/C1/T100°C-W
<b>Compliance with standards and directives</b>		
Standard conformity		
Standards		EN IEC 60947-5-2
<b>Approvals and certificates</b>		
Protection class		II
Rated insulation voltage	$U_i$	30 V
Rated impulse withstand voltage	$U_{imp}$	500 V
UL approval		cULus Listed, General Purpose, Class 2 Power Source
CCC approval		CCC approval / marking not required for products rated ≤36 V
<b>Ambient conditions</b>		
Ambient temperature		-25 ... 70 °C (-13 ... 158 °F)
Storage temperature		-40 ... 85 °C (-40 ... 185 °F)
<b>Mechanical specifications</b>		
Connection type		Connector plug
Housing material		PA
Sensing face		PA
Degree of protection		IP65 / IP67
Connector		
Threading		M12 x 1
Number of pins		4
Mass		145 g
Dimensions		
Height		40 mm
Width		40 mm
Length		67 mm

**Connection**



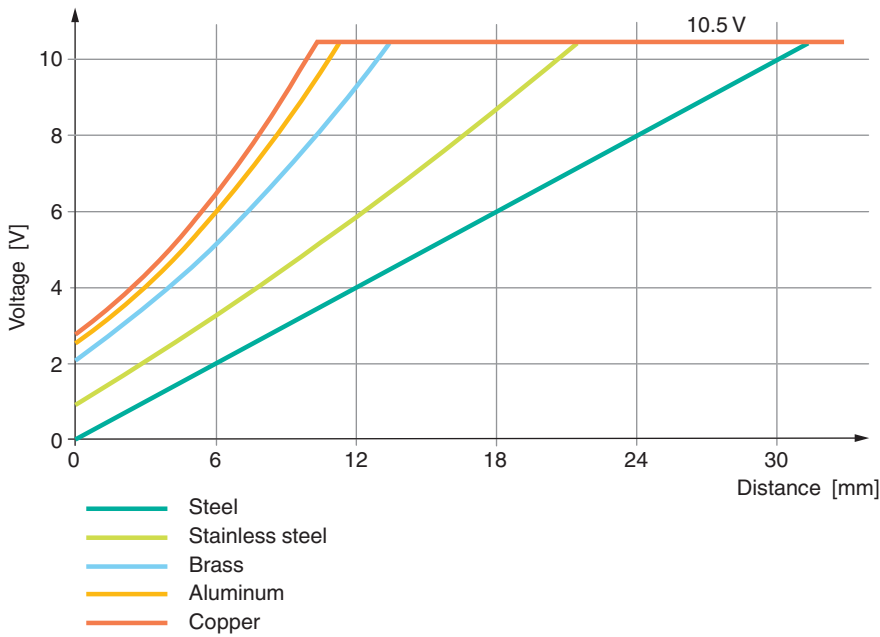
**Connection Assignment**



Wire colors in accordance with EN 60947-5-2

1	BN	(brown)
2	WH	(white)
3	BU	(blue)
4	BK	(black)

**Characteristic Curve**



Release date: 2025-06-06 Date of issue: 2025-06-06 Filename: 70145057\_eng.pdf