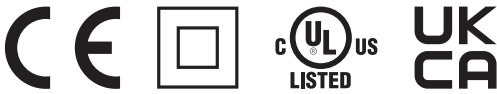




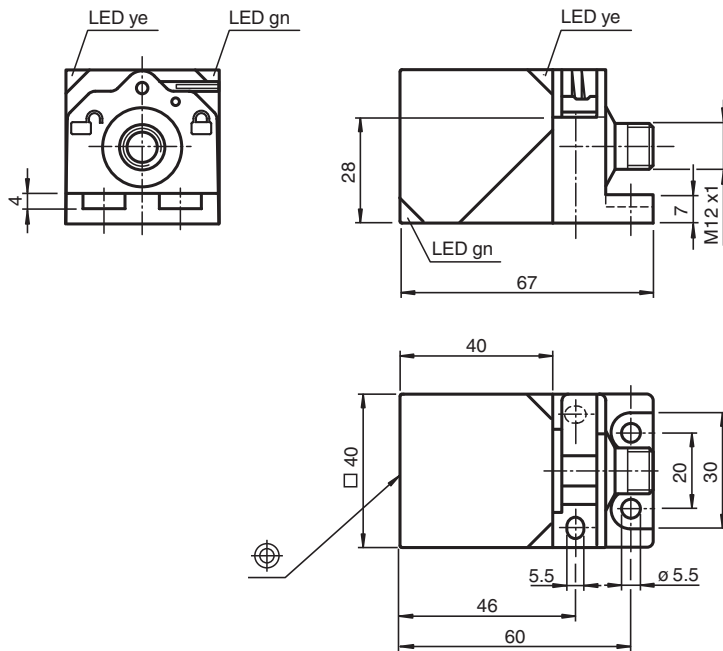
Inductive sensor NAN30-L2-I-V1

- Inductive analog sensor
- Output 4 mA ... 20 mA
- Measuring range 0 ... 30 mm
- Non-flush mountable
- 4-way LED indicator
- Sensor head bidirectional and rotatable
- Quick mounting bracket

Inductive distance sensor with analog current output



Dimensions



Technical Data

General specifications

| | |
|--------------------|---|
| Switching function | |
| Output type | Analog current output |
| Installation | non-flush |
| Output polarity | DC |
| Actuating element | mild steel, e. g. 1.0037, SR235JR (formerly St37-2) 90 mm x 90 mm x 1 mm |
| Measuring range | 0 ... 30 mm |
| Output type | 3-wire |

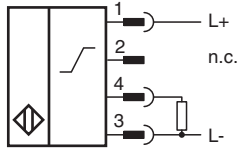
Nominal ratings

Release date: 2025-06-06 Date of issue: 2025-06-06 Filename: 70145058_eng.pdf

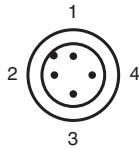
Technical Data

| | | |
|---|-----------|--|
| Operating voltage | U_B | 15 ... 30 V |
| Reverse polarity protection | | reverse polarity protected |
| Short-circuit protection | | current limited |
| Linearity error | | ± 3 % of full-scale value |
| Temperature drift | | ± 10 % of full-scale value |
| Repeat accuracy | | ± 1 % of full-scale value |
| Recovery time | | ≤ 50 ms |
| No-load supply current | I_0 | 12 mA |
| Operating voltage indicator | | LED, green |
| Status indicator | | LED, yellow permanently on: damping element within measuring range slowly flashing (2 Hz): damping element outside measuring range fast flashing (10 Hz): fault state |
| Functional safety related parameters | | |
| MTTF _d | | 864 a |
| Mission Time (T _M) | | 20 a |
| Diagnostic Coverage (DC) | | 0 % |
| Analog output | | |
| Output type | | 4 ... 20 mA |
| Slope of output characteristic | | 0.5 mA / mm |
| Load resistor | | $\leq 500 \Omega$ |
| Settling time | | ≤ 100 ms |
| Conformity | | |
| PWIS conformity | | VDMA 24364-A1/B2/C1/T100°C-W |
| Compliance with standards and directives | | |
| Standard conformity | | |
| Standards | | EN IEC 60947-5-2 |
| Approvals and certificates | | |
| Protection class | | II |
| Rated insulation voltage | U_i | 30 V |
| Rated impulse withstand voltage | U_{imp} | 500 V |
| UL approval | | cULus Listed, General Purpose, Class 2 Power Source |
| CCC approval | | CCC approval / marking not required for products rated ≤ 36 V |
| Ambient conditions | | |
| Ambient temperature | | -25 ... 70 °C (-13 ... 158 °F) |
| Storage temperature | | -40 ... 85 °C (-40 ... 185 °F) |
| Mechanical specifications | | |
| Connection type | | Connector plug |
| Housing material | | PA |
| Sensing face | | PA |
| Degree of protection | | IP65 / IP67 |
| Connector | | |
| Threading | | M12 x 1 |
| Number of pins | | 4 |
| Mass | | 145 g |
| Dimensions | | |
| Height | | 40 mm |
| Width | | 40 mm |
| Length | | 67 mm |

Connection



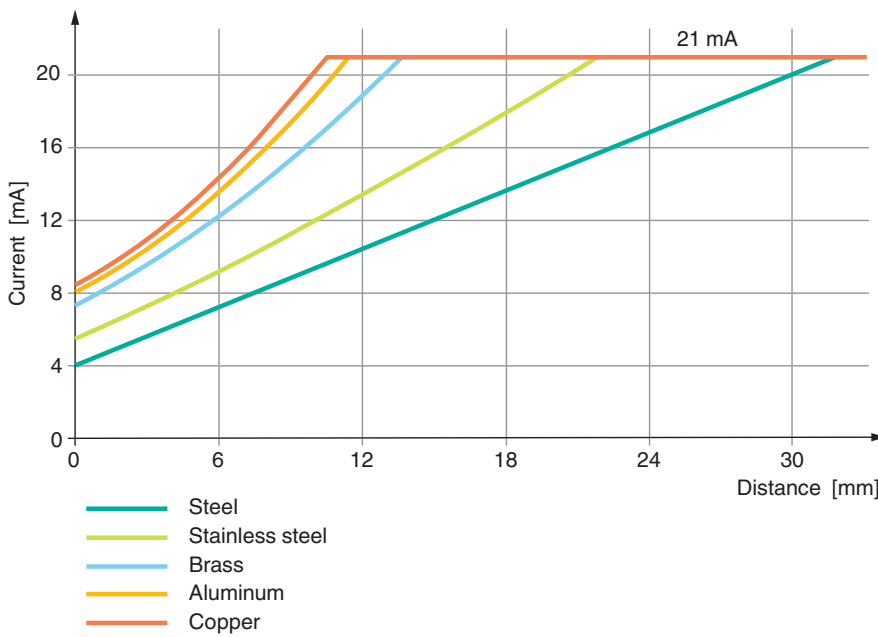
Connection Assignment



Wire colors in accordance with EN 60947-5-2

| | | |
|---|----|---------|
| 1 | BN | (brown) |
| 2 | WH | (white) |
| 3 | BU | (blue) |
| 4 | BK | (black) |

Characteristic Curve



Release date: 2025-06-06 Date of issue: 2025-06-06 Filename: 70145058_eng.pdf