



Charger for OHV210 with built-in Bluetooth modem

OHV210-CHARGER-B15

- Simple connection through Quick-Connect Code
- Use as stationary code reader possible

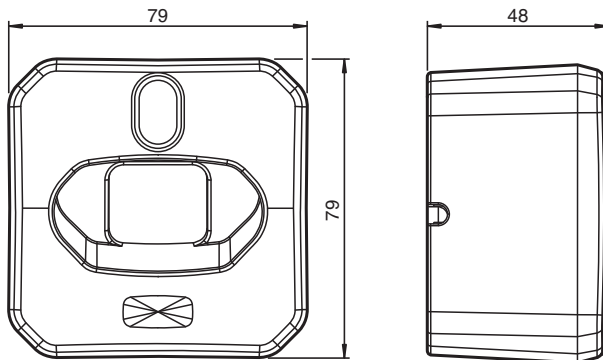
Charger for OHV210 with built-in Bluetooth modem



Function

The OHV210-CHARGER-B15 charger allows you to charge the OHV210 handheld. The charger also includes a Bluetooth modem and a mini USB connection for transferring data.

Dimensions



Technical Data

Indicators/operating means

Operation indicator	LED green: supply
Function indicator	LED blue: Bluetooth connection
Switch	Bluetooth
Key	1 button

Electrical specifications

Operating voltage	U_B	5 V DC
Operating current	I_B	max. 1 A

Interface

Physical	Bluetooth (Class II) , Mini USB
Transmitter frequency	2402 ... 2480 MHz (Bluetooth)
Transmitter radiated power	0.002 W

Output

Technical Data

Output rated operating current	max. 555 mA
Output voltage	4.2 V DC
Compliance with standards and directives	
Standard conformity	
Electromagnetic compatibility	EN 61000-6-1:2007 EN 61000-6-2:2005/AC:2005 EN 61000-6-3:2007/A1:2011/AC:2012 EN 61000-6-4:2007/A1:2011
Radio spectrum	ETSI EN 300328:V1.8.1
Standards	EN 50581:2012
Approvals and certificates	
FCC approval	FCC-ID: X8WBT840
Ambient conditions	
Ambient temperature	-20 ... 55 °C (-4 ... 131 °F)
Storage temperature	-30 ... 65 °C (-22 ... 149 °F)
Mechanical specifications	
Connection	Supply voltage: 5.5 mm hollow socket Interface : Mini USB
Mass	97 g
Dimensions	79 mm x 79 mm x 48 mm (l x w x h)
General information	
Scope of delivery	charger + Adapter cable, USB to mini USB