

Lithium ion battery 1200 mAh

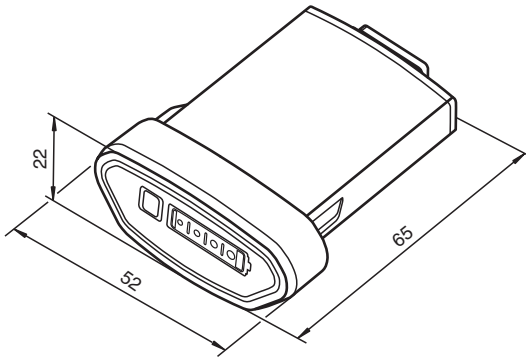
OHV210-BAT



- Lithium ion battery
- Capacity 1200 mAh
- LED indicator for supply status

Lithium ion battery 1200 mAh

Dimensions



Technical Data

Electrical specifications

Nominal capacity 1200 mAh , capacity can varies with usage conditions

Mechanical specifications

Mass approx. 50 g

Dimensions 52 mm x 22 mm x 65 mm (W x H x D)