



Flexible metal conduit

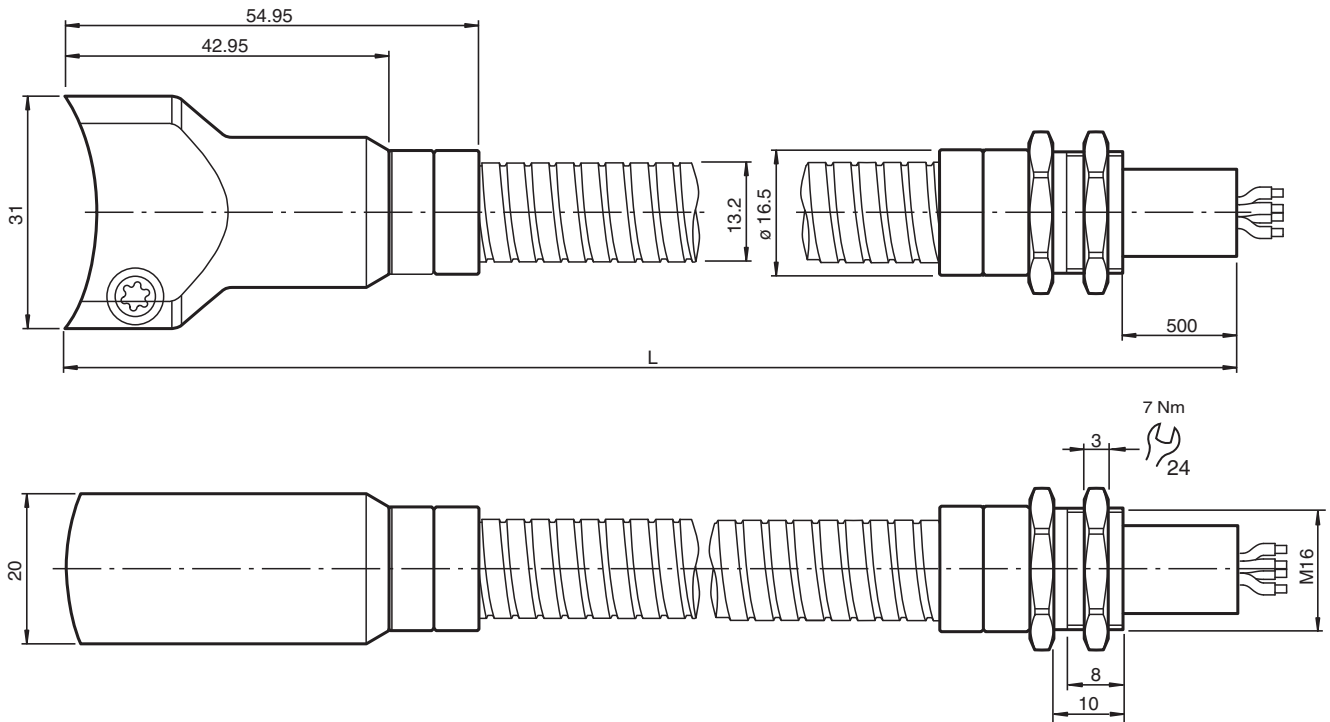
MEC-VIM8-V4A-1.5

- Protection against contamination and damage
- Stainless steel version

Flexible metal conduit 1.5 m for VIM8 vibration sensors



Dimensions



Technical Data

General specifications

Suitable components VIM8* vibration sensors

Ambient conditions

Ambient temperature -40 ... 125 °C (-40 ... 257 °F)

Mechanical specifications

Cable gland

Thread type

metric

Thread size

M16 x 1.5

Height

20 mm

Width

31 mm

Technical Data

Length	L	1.5 m
Material		
Cable gland		Stainless steel 1.4404 / AISI 316L
Flexible metal conduit		Stainless steel 1.4404 / AISI 316L
Fastener		Stainless steel 1.4401 / AISI 316
Mass		400 g