



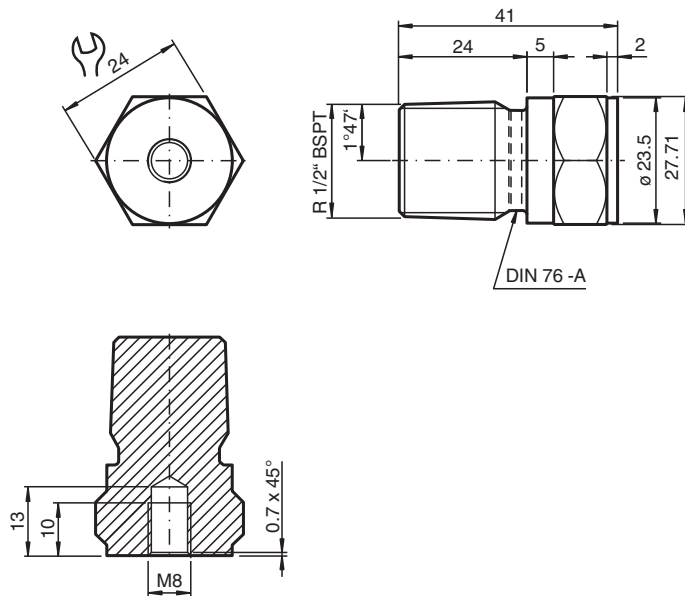
Mounting adapter

MONAD-M08-1,25-1,2Z-BSPT/36

- Usable for VIM3* / VIM6* vibration sensors with external thread
- Robust due to stainless steel 1.4404 / AISI 316L (V4A)
- Screw-in thread for simple installation

Mounting adapter for VIM3*/VIM6* vibration sensors, internal thread M8 x 1.25 x 10, external thread NPT1/2", screw-in depth 24

Dimensions



Technical Data

General specifications

Suitable components	VIM3* vibration sensors VIM6* vibration sensors
---------------------	--

Mechanical specifications

External thread	for machine mounting
Thread type	NPT
Thread size	NPT 1/2"
Screw-in depth	24 mm
Internal thread	for sensor mounting
Thread type	metric

Release date: 2022-03-16 Date of issue: 2022-03-16 Filename: 70146356_eng.pdf

Technical Data

Thread size		M8 x 1.25
Thread length		10 mm
Length	L	41 mm
Diameter		27.71 mm
Material		Stainless steel 1.4404 / AISI 316L
Mass		115 g