

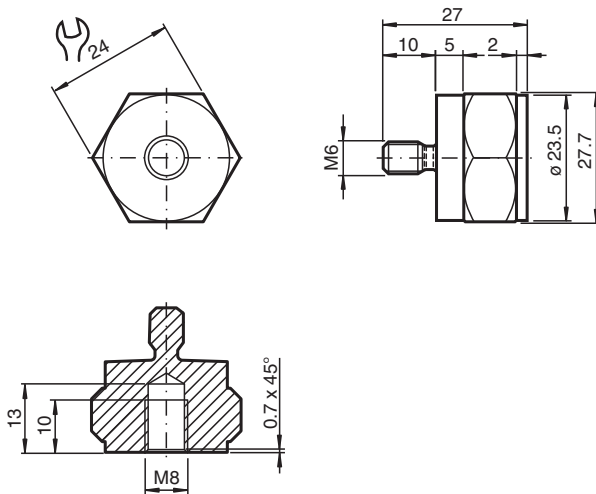
Mounting adapter

MONAD-M08-1,25-M06-1,0/36

- Usable for VIM3* / VIM6* vibration sensors with external thread
- Robust due to stainless steel 1.4404 / AISI 316L (V4A)
- Screw-in thread for simple installation

Mounting adapter for VIM3*/VIM6* vibration sensors, internal thread M8 x 1.25 x 10, external thread M6 x 1.0, screw-in depth 10

Dimensions



Technical Data

General specifications

Suitable components	VIM3* vibration sensors VIM6* vibration sensors
---------------------	--

Mechanical specifications

External thread	for machine mounting
Thread type	metric
Thread size	M6 x 1.0
Screw-in depth	10 mm
Internal thread	for sensor mounting
Thread type	metric

Technical Data

Thread size		M8 x 1.25
Thread length		10 mm
Length	L	27 mm
Diameter		27.71 mm
Material		Stainless steel 1.4404 / AISI 316L
Mass		62 g