

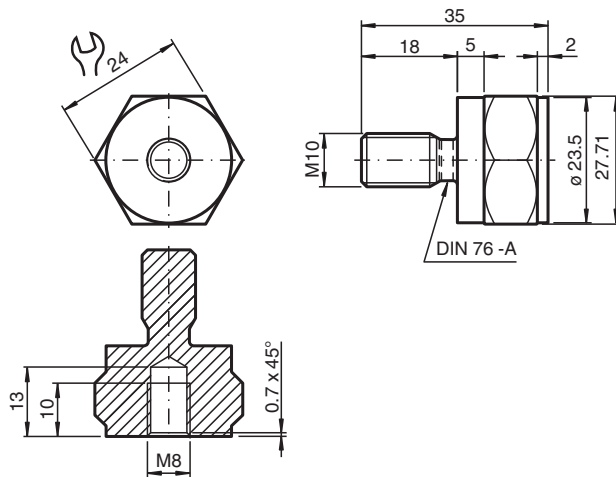


## Mounting adapter MONAD-M08-1,25-M10-1,5/36

- Usable for VIM3\* / VIM6\* vibration sensors with external thread
- Robust due to stainless steel 1.4404 / AISI 316L (V4A)
- Screw-in thread for simple installation

Mounting adapter for VIM3\*/VIM6\* vibration sensors, internal thread M8 x 1.25 x 10, external thread M10 x 1.5, screw-in depth 18

### Dimensions



### Technical Data

General specifications	
Suitable components	VIM3* vibration sensors VIM6* vibration sensors
Mechanical specifications	
External thread	for machine mounting
Thread type	metric
Thread size	M10 x 1.5
Screw-in depth	18 mm
Internal thread	for sensor mounting
Thread type	metric
Thread size	M8 x 1.25
Thread length	10 mm
Length	L 35 mm
Diameter	27.71 mm
Material	Stainless steel 1.4404 / AISI 316L
Mass	69 g

Release date: 2022-11-21 Date of issue: 2022-11-21 Filename: 70146784\_eng.pdf