

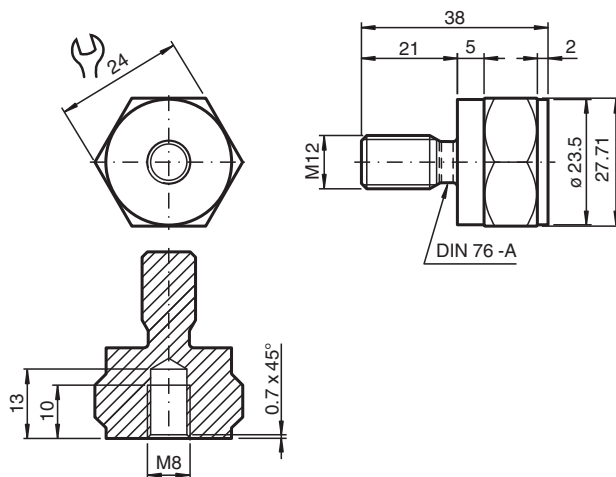
Mounting adapter

MONAD-M08-1,25-M12-1,75/36

- Usable for VIM3* / VIM6* vibration sensors with external thread
- Robust due to stainless steel 1.4404 / AISI 316L (V4A)
- Screw-in thread for simple installation

Mounting adapter for VIM3*/VIM6* vibration sensors, internal thread M8 x 1.25 x 10, external thread M12 x 1.75, screw-in depth 21

Dimensions



Technical Data

General specifications	
Suitable components	VIM3* vibration sensors VIM6* vibration sensors
Mechanical specifications	
External thread	for machine mounting
Thread type	metric
Thread size	M12 x 1.75
Screw-in depth	21 mm
Internal thread	for sensor mounting
Thread type	metric
Thread size	M8 x 1.25
Thread length	10 mm
Length	L 38 mm
Diameter	27.71 mm
Material	Stainless steel 1.4404 / AISI 316L
Mass	69 g

Release date: 2023-09-14 Date of issue: 2023-09-14 Filename: 70146785_eng.pdf