

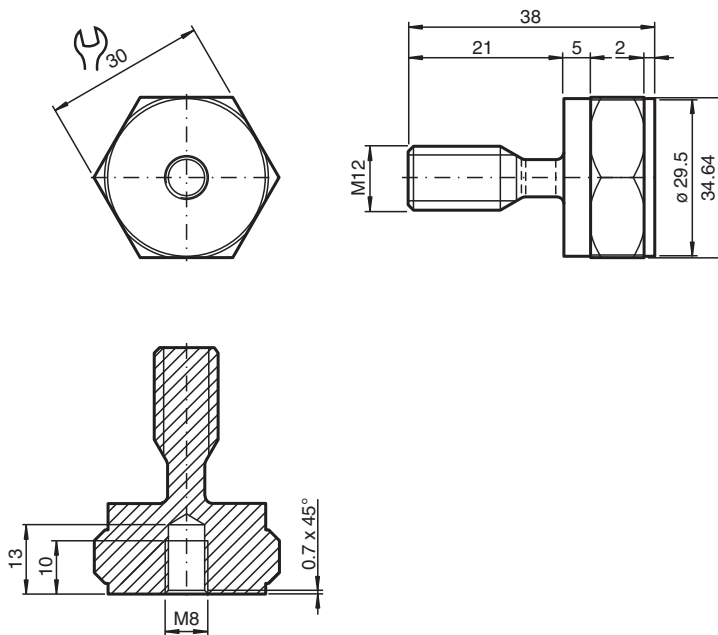
Mounting adapter

MONAD-M08-1,25-M12-1,75/8

- Usable for VIM8* vibration sensors
- Robust due to stainless steel 1.4404 / AISI 316L (V4A)
- Screw-in thread for simple installation

Mounting adapter for VIM8* vibration sensors, internal thread M8 x 1.25 x 10, external thread M12 x 1.75, screw-in depth 21

Dimensions



Technical Data

General specifications

Suitable components VIM8* vibration sensors

Mechanical specifications

External thread for machine mounting

Thread type metric

Thread size M12 x 1.75

Screw-in depth 21 mm

Internal thread for sensor mounting

Thread type metric

Technical Data

Thread size		M8 x 1.25
Thread length		10 mm
Length	L	38 mm
Diameter		34.64 mm
Material		Stainless steel 1.4404 / AISI 316L
Mass		110 g