

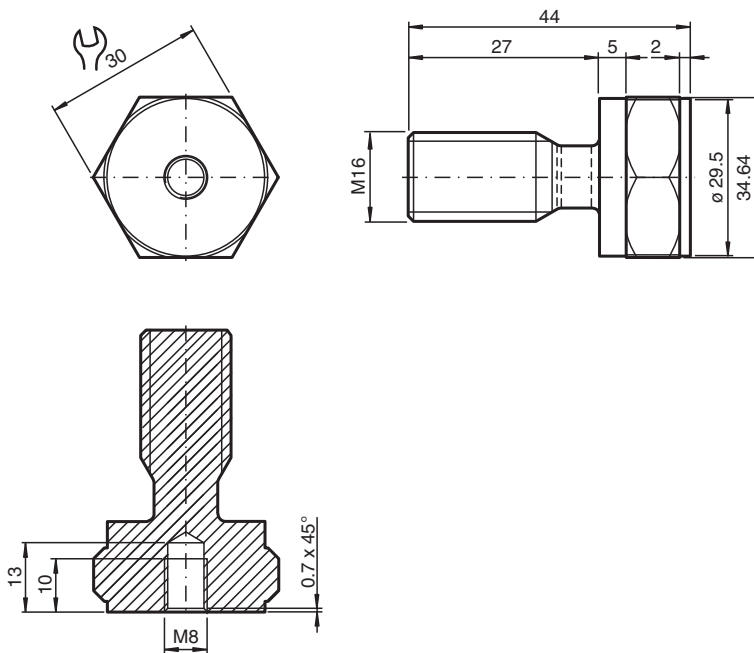
Mounting adapter

MONAD-M08-1,25-M16-2,0/368

- Usable for VIM3* / VIM6* vibration sensors with external thread
- Usable for VIM8* vibration sensors
- Robust due to stainless steel 1.4404 / AISI 316L (V4A)
- Screw-in thread for simple installation

Mounting adapter for VIM3*/VIM6*/VIM8* vibration sensors, internal thread M8 x 1.25 x 10, external thread M16 x 2.0, screw-in depth 27

Dimensions



Technical Data

General specifications

Suitable components	VIM3* vibration sensors VIM6* vibration sensors VIM8* vibration sensors
---------------------	---

Mechanical specifications

External thread	for machine mounting
Thread type	metric
Thread size	M16 x 2.0
Screw-in depth	27 mm
Internal thread	for sensor mounting

Technical Data

Thread type		metric
Thread size		M8 x 1.25
Thread length		10 mm
Length	L	44 mm
Diameter		34.64 mm
Material		Stainless steel 1.4404 / AISI 316L
Mass		131 g