



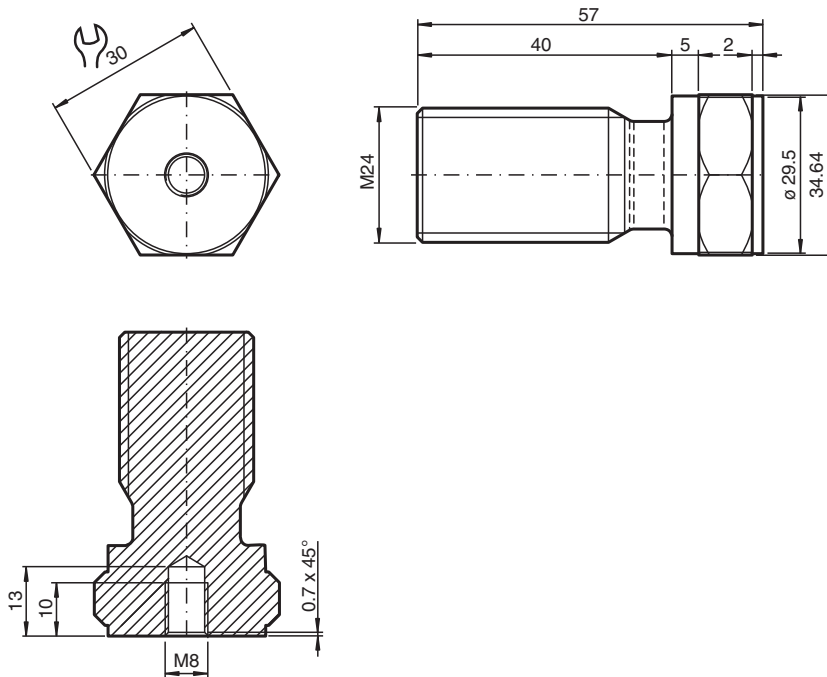
## Mounting adapter

### MONAD-M08-1,25-M24-3,0/368

- Usable for VIM3\* / VIM6\* vibration sensors with external thread
- Usable for VIM8\* vibration sensors
- Robust due to stainless steel 1.4404 / AISI 316L (V4A)
- Screw-in thread for simple installation

Mounting adapter for VIM3\*/VIM6\*/VIM8\* vibration sensors, internal thread M8 x 1.25 x 10, external thread M24 x 3.0, screw-in depth 40

## Dimensions



## Technical Data

### General specifications

Suitable components	VIM3* vibration sensors VIM6* vibration sensors VIM8* vibration sensors
---------------------	---

### Mechanical specifications

External thread	for machine mounting
Thread type	metric
Thread size	M24 x 3.0
Screw-in depth	40 mm
Internal thread	for sensor mounting

**Technical Data**

Thread type		metric
Thread size		M8 x 1.25
Thread length		10 mm
Length	L	57 mm
Diameter		34.64 mm
Material		Stainless steel 1.4404 / AISI 316L
Mass		212 g