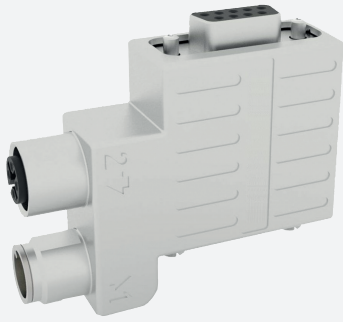


Adapter M12 x 1 on Sub-D

SUBD9-W-CAN+TR-V15S/V15

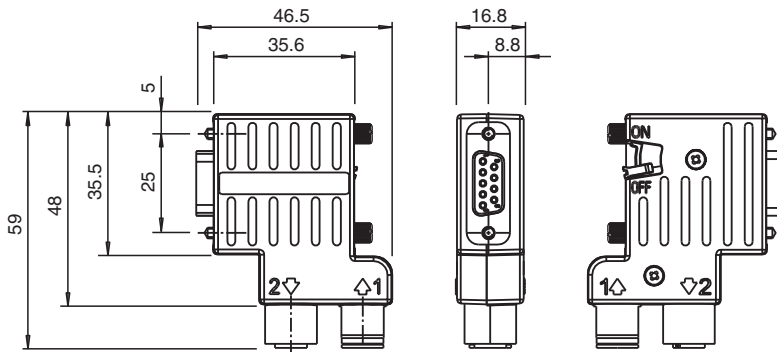


- Plug & Play connection of CAN bus network components
- Transmission rate CAN bus up to 12 MBit/s
- Integrated, switchable bus terminal resistor
- All-round shielding (360°) for full EMC protection
- Degree of protection IP20

Adapter Sub-D straight 9-pin to M12 plug / M12 socket straight A-coded 4-pin



Dimensions



Technical Data

General specifications

Connector 1	
Connection	plug
Construction type	M12
Style	straight
Locking	screw connection
Number of pins	5
Coding	A-coded
Connector 2	
Connection	socket
Construction type	M12
Style	straight
Locking	screw connection
Number of pins	5
Coding	A-coded
Connector 3	
Connection	socket

Release date: 2023-11-17 Date of issue: 2023-11-17 Filename: 70147380_eng.pdf

Technical Data

Construction type	Sub-D	
Style		straight
Locking		screw connection
Number of pins		9
Electrical specifications		
Operating voltage	U_B	24 V DC
Operating current	I_B	max. 4 A
Conformity		
Degree of protection		EN 60529
Fieldbus standard		CAN bus 12 MBit/s
Plug connection		connector M12 x 1 : IEC 61076-2-101 Connector Sub-D : IEC 807-2
Ambient conditions		
Ambient temperature		-20 ... 70 °C (-4 ... 158 °F)
Relative humidity		max. 75 % at 25 °C non-condensing
Pollution degree		2
Mechanical specifications		
Plug connector		
Mating cycles		min. 200
Connector 1		
Tightening torque		0.6 Nm
Connector 2		
Tightening torque		0.6 Nm
Connector 3		
Tightening torque		0.3 Nm
Loosening protection		screws UNC 4-40
Degree of protection		IP20
Material		
Plug connector		
Body		Zn alloy
General information		
Note		Switchable terminal resistor according to CAN bus specification

Connection Assignment

