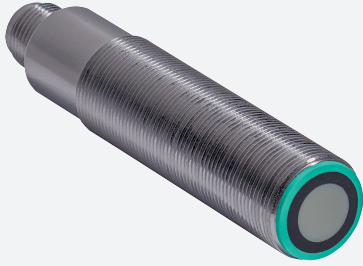


# Ultrasonic sensor

## UB500-18GM75-E6-V15-Y70147385

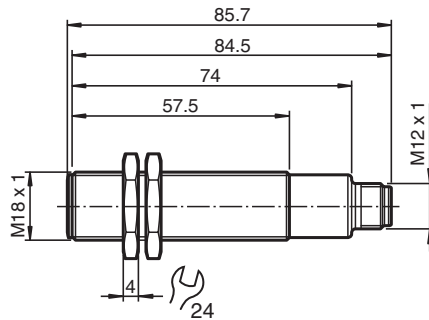


- 2 switch outputs
- 3 different output functions can be set
- Selectable sound lobe width
- Program input
- Temperature compensation
- Very small unusable area
- Stainless steel version

Single head system



### Dimensions



### Technical Data

General specifications		
Sensing range		30 ... 500 mm
Adjustment range		50 ... 500 mm
Dead band		0 ... 30 mm
Standard target plate		100 mm x 100 mm
Transducer frequency		approx. 380 kHz
Response delay		approx. 50 ms
Electrical specifications		
Operating voltage	$U_B$	10 ... 30 V DC , ripple 10 % <sub>SS</sub>
No-load supply current	$I_0$	≤ 50 mA
Input		
Input type		1 program input, operating range 1: $-U_B ... +1$ V, operating range 2: $+4$ V ... $+U_B$ input impedance: > 4.7 kΩ; program pulse: ≥ 1 s
Output		
Output type		2 switch outputs PNP, NO/NC, programmable
Rated operating current	$I_e$	2 x 100 mA , short-circuit/overload protected
Voltage drop	$U_d$	≤ 3 V

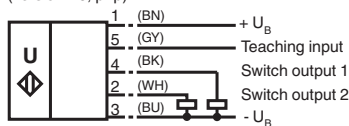
Release date: 2025-06-03 Date of issue: 2025-06-03 Filename: 70147385\_eng.pdf

## Technical Data

Repeat accuracy		≤ 1 %
Switching frequency	f	max. 8 Hz
Range hysteresis	H	1 % of the set operating distance
Temperature influence		± 1.5 % of full-scale value
<b>Compliance with standards and directives</b>		
Standard conformity		
Standards		EN IEC 60947-5-2:2020 IEC 60947-5-2:2019
<b>Approvals and certificates</b>		
UL approval		cULus Listed, Class 2 Power Source
CCC approval		CCC approval / marking not required for products rated ≤36 V
<b>Ambient conditions</b>		
Ambient temperature		-25 ... 70 °C (-13 ... 158 °F)
Storage temperature		-40 ... 85 °C (-40 ... 185 °F)
<b>Mechanical specifications</b>		
Connection type		Connector plug M12 x 1 , 5-pin
Degree of protection		IP67
Material		
Housing		Stainless steel 1.4305 / AISI 303
Transducer		epoxy resin/hollow glass sphere mixture; foam polyurethane, cover PBT
Mass		60 g
Dimensions		
Length		85 mm
Diameter		18 mm
<b>Factory settings</b>		
Output 1		Switching point: 50 mm output function: Switch point operation mode output behavior: NO contact
Output 2		Switching point: 500 mm output function: Switch point operation mode output behavior: NO contact
Beam width		wide

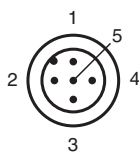
## Connection Assignment

Standard symbol/Connections:  
(version E6, pnp)



Core colours in accordance with EN 60947-5-2.

## Connection Assignment



Release date: 2025-06-03 Date of issue: 2025-06-03 Filename: 70147385\_eng.pdf



## Programming

### Programming procedure

The sensor features two programmable switch outputs with one programmable switch point, each. Programming the switch point and the operating mode is done by applying the supply voltage  $-U_B$  or  $+U_B$  to the Program input. The supply voltage must be applied to the Program input for at least 1 s. LEDs indicate whether the sensor has recognized the target during the programming procedure.

#### Note:

Switching points may only be specified directly after Power on. A time lock secures the adjusted switching points against unintended modification 5 minutes after Power on. To modify the switching points later, the user may specify the desired values only after a new Power On.

#### Note:

If a programming adapter UB-PROG3 is used for the programming procedure, button A1 is assigned to  $-U_B$  and button A2 is assigned to  $+U_B$ .

### Programming switch outputs

#### Normally open (NO) output

The switch point of switch output 1 has to be closer to the sensor than the switch point of switch output 2

1. Place the target at the desired switch point position of switch output 1
2. Program the switch point by applying  $-U_B$  to the Program input (corresponding yellow LED flashes)
3. Disconnect the Program input from  $-U_B$  to save the switch point
4. Place the target at the desired switch point position of switch output 2
5. Program the switch point by applying  $+U_B$  to the Program input (corresponding yellow LED flashes)
6. Disconnect the Program input from  $+U_B$  to save the switch point

**Note:** The order doesn't make any difference. If you want, you can set only one switching point.

#### Normally closed (NC) output

The switch point of switch output 2 has to be closer to the sensor than the switch point of switch output 1

1. Place the target at the desired switch point position of switch output 1
2. Program the switch point by applying  $-U_B$  to the Program input (corresponding yellow LED flashes)
3. Disconnect the Program input from  $-U_B$  to save the switch point
4. Place the target at the desired switch point position of switch output 2
5. Program the switch point by applying  $+U_B$  to the Program input (corresponding yellow LED flashes)
6. Disconnect the Program input from  $+U_B$  to save the switch point

**Note:** The order doesn't make any difference. If you want, you can set only one switching point. If both switching points are equal, the sensor works in close function.

### Programming detection of object presence

1. Cover the sensor face with hand or remove all objects from sensing range
2. Apply  $-U_B$  to the Program input (red LED flashes)
3. Disconnect the Program input from  $-U_B$
4. Apply  $+U_B$  to the Program input (red LED flashes)
5. Disconnect the Program input from  $+U_B$

**Note:** Only one switch output can be configured for detection of presence of objects. If the sensor detects an object within the maximum detection range, the switch output switches.

### Adjusting the sound cone characteristics:

The ultrasonic sensor enables two different shapes of the sound cone, a wide angle sound cone and a small angle sound cone.

#### 1. Small angle sound cone

- switch off the power supply
- connect the Teach-In input wire to  $-U_B$
- switch on the power supply
- the red LED flashes once with a pause before the next.
- yellow LED: permanently on: indicates the presence of an object or disturbing object within the sensing range
- disconnect the Teach-In input wire from  $-U_B$  and the changing is saved



#### 2. Wide angle sound cone

- switch off the power supply
- connect the Teach-In input wire with  $+U_B$
- switch on the power supply
- the red LED double-flashes with a long pause before the next.
- yellow LED: permanently on: indicates an object or disturbing object within the sensing range
- disconnect the Teach-In input wire from  $+U_B$  and the changing is saved



## Factory Setting

**Factory settings**

See technical data.

**Indication**

The sensor provides LEDs to indicate various conditions.

	Red LED	Yellow LED 1	Yellow LED 2
<b>During Normal operation</b>			
Proper operation	Off	Switching state output 1	Switching state output 2
Interference (e.g. compressed air)	On	remains in previous state	remains in previous state
<b>Programming of output 1</b>			
Object detected	Off	Flashes	Off
No object detected	Flashes	Off	Off
Object uncertain (programming invalid)	On	Off	Off
<b>Programming of output 2</b>			
Object detected	Off	Off	Flashes
No object detected	Flashes	Off	Off
Object uncertain (programming invalid)	On	Off	Off

**Installation Conditions**

If the sensor is installed at places, where the environment temperature can fall below 0 °C, for the sensors fixation, one of the mounting flanges BF18, BF18-F or BF 5-30 must be used.

In case of direct mounting of the sensor in a through hole using the steel nuts, it has to be fixed at the middle of the housing thread. If a fixation at the front end of the threaded housing is required, plastic nuts with centering ring (accessories) must be used.