



## Industrial Communication ICA-IIOT-KIT3G-IO

- Experience the benefits of IO-Link
- See how simple it is to integrate IO-Link data into your I4.0 strategy
- Quick start guide for basic connectivity to the IO-Link master
- Detailed instructions for MQTT and OPC UA connectivity
- PROFINET interface

IIoT Starter Kit with IP67 PROFINET Master



### Function

Learn how to visualize and analyze sensor data with this IIoT Starter Kit and our simple-to-use IO-Link masters.

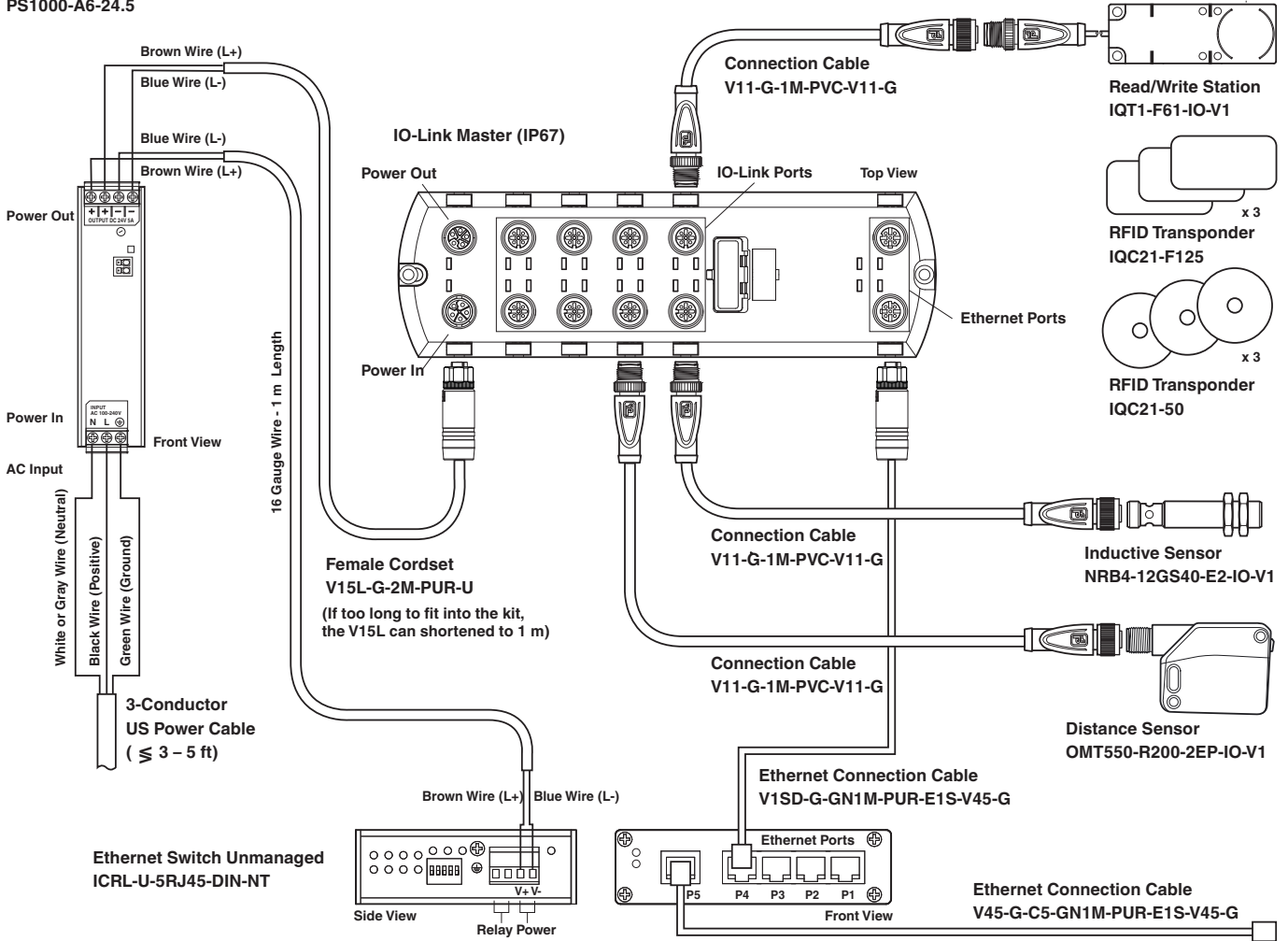
Each kit includes the following components to get you started:

- An IO-Link master with 8 inputs/outputs
- A high-frequency RFID R/W station with IO-Link
- Three IO-Link sensors
- All the necessary cabling, including an Ethernet bus cable and female cordset
- An Ethernet unmanaged switch with 5 RJ45 ports and port alarm
- Two RFID transponders
- A Pepperl+Fuchs PS1000 power supply (100 VAC to 240 VAC wide range input; output 24 VDC, 5 A, 120 W)

The kit includes a list of protocol details as well as instructions that walk the user through setup and IO-Link master configurations.

**Application**

Power Supply  
PS1000-A6-24.5





**Matching System Components**

	<b>V45-G-C5-GN1M-PUR-E1S-V45-G</b>	Ethernet bus cable RJ45 to RJ45 PROFINET-coded, 4-pin, PUR cable green, Cat5e, shielded, UL approved, drag chain suitable
	<b>IQC21-F125</b>	Data carrier
	<b>V15L-G-2M-PUR-U</b>	Female cordset single-ended M12 straight L-coded, 5-pin, PUR cable grey, UL approved
	<b>ICRL-U-5RJ45-DIN-NT</b>	Ethernet unmanaged switch with 5 RJ45 ports and port alarm
	<b>IQT1-F61-IO-V1</b>	HF read/write station with IO-Link in accordance with ISO 15693
	<b>NRB4-12GS40-E2-IO-V1</b>	Inductive sensor
	<b>OMT550-R200-2EP-IO-V1</b>	Distance sensor
	<b>PS1000-A6-24.5</b>	Power Supply

Release date: 2022-08-04 Date of issue: 2022-08-04 Filename: 70148127\_eng.pdf

**Matching System Components**

	<b>IQC21-50 25pcs</b>	Data carrier
	<b>V11-G-1M-PVC-V11-G</b>	Cordset M12 socket straight to M12 plug straight A-coded, 3-pin, PVC cable grey