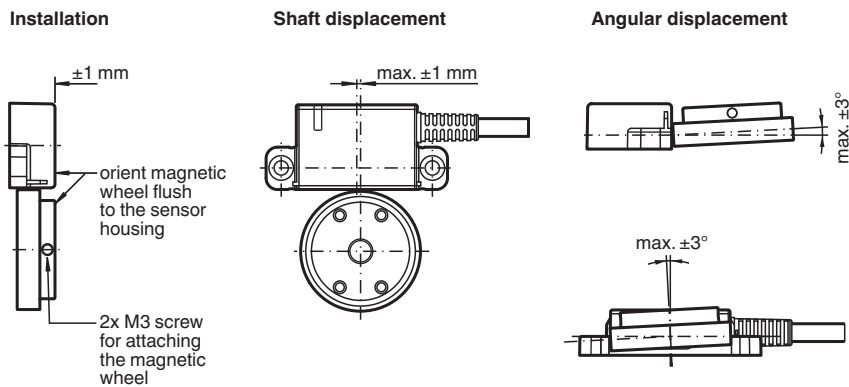


Dimensions



Technical Data

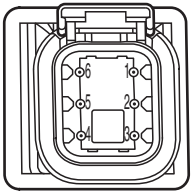
General specifications			
Detection type		magnetic sampling	
Pulse count		1000	
UL File Number		E223176 "For use in NFPA 79 Applications only", if UL marking is marked on the product.	
Functional safety related parameters			
MTTF _d		942 a	
Mission Time (T _M)		20 a	
Diagnostic Coverage (DC)		0 %	
Indicators/operating means			
LED red/green		Operating display / Alignment aid	
Electrical specifications			
Operating voltage	U _B	10 ... 30 V DC	
No-load supply current	I ₀	max. 55 mA	
Output			
Output type		push-pull, incremental	
Voltage drop	U _d	< 2.5 V	
Load current		max. per channel 30 mA , short-circuit protected	
Output frequency		max. 1 MHz	
Connection			
Connector		L = 0.3 m fixed cable with Deutsch connector DTM04-6P	
Standard conformity			
Degree of protection		DIN EN 60529, IP67 , IP68 , IP69K	
Climatic testing		DIN EN 60068-2-30	
Emitted interference		EN 61000-6-4:2007/A1:2011	
Noise immunity		EN 61000-6-2:2005	
Shock resistance		DIN EN 60068-2-27, 200 g, 6 ms	
Vibration resistance		DIN EN 60068-2-6, 40 g, 10 ... 2000 Hz	
Approvals and certificates			
UL approval		cULus Listed, General Purpose, Class 2 Power Source, Type 1 enclosure , if UL marking is marked on the product. adapters providing field wiring on request	
Maximum permissible ambient temperature		max. 80 °C (max. 176 °F)	
Ambient conditions			
Operating temperature		-40 ... 100 °C (-40 ... 212 °F)	
Storage temperature		-40 ... 100 °C (-40 ... 212 °F)	
Mechanical specifications			

Release date: 2023-02-01 Date of issue: 2023-02-01 Filename: 70148287_eng.pdf

Technical Data

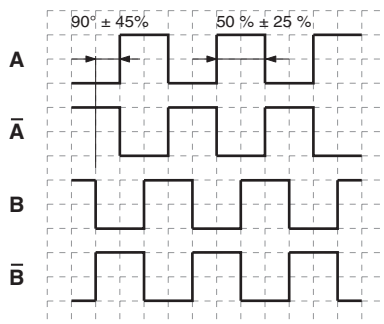
Material	
Housing	PA
Cable	PUR
Magnetic wheel	steel 1.4021 (AISI 420) ferrite filled cured rubber
Mass	approx. 190 g
Rotational speed	max. 30000 min ⁻¹

Connection

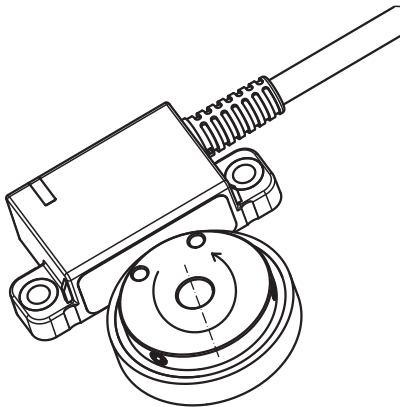
Signal	Deutsch connector DTM04-P6, 6-pin
+U _b	1
GND	2
A	3
\bar{A}	4
B	5
\bar{B}	6
Pinout	

Operation

Signal outputs



↻ ccw - with top-view



Indication

LED-Indicators

LED status	Description
Green On	Sensor self test and magnetic wheel verification successfully completed.
Green Flashing	Sensor waiting to complete single magnetic revolution for code wheel verification process.
Red Flashing	Warning Alignment or wheel velocity detected as out of specified limits. Possible cause: improper alignment (large sensor-wheel gap, magnetic wheel misalignment, ...)
Red On	Error Possible reason: <ul style="list-style-type: none"> • Supply voltage drop • Magnetic wheel not detectable (e. g. too large gap) • Broken magnetic wheel

Release date: 2023-02-01 Date of issue: 2023-02-01 Filename: 70148287_eng.pdf