

# Push button box

## ICA-F85E2-MC-IO-V1

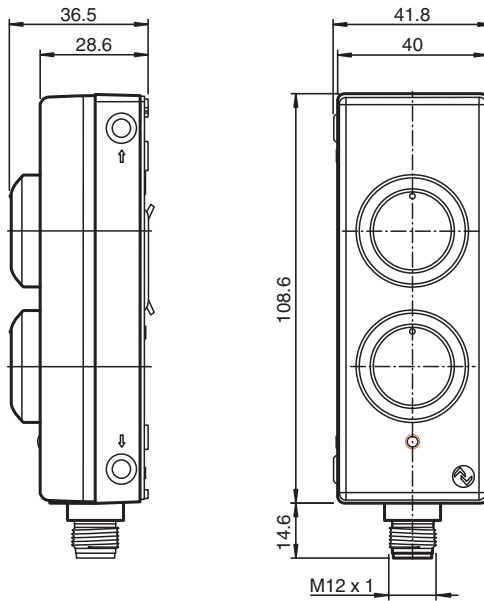


- IO-Link interface
- IO-Link Class A
- M12 plug connection
- Two buttons, RGB illumination, freely programmable
- Programmable night mode and flashing mode

Programmable push button box with IO-Link interface



### Dimensions



### Technical Data

#### General specifications

UL File Number E198304

#### Indicators/operating means

Button Two buttons, RGB illumination, freely programmable

#### Electrical specifications

Rated operating voltage  $U_e$  18 ... 30 V

Operating current  $I_B$   $\leq 100$  mA

Protection class III

Nominal voltage 24 V

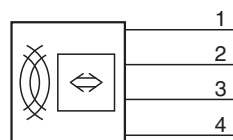
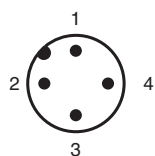
#### Interface

Release date: 2024-02-02 Date of issue: 2024-02-02 Filename: 70148369\_eng.pdf

## Technical Data

Interface type	IO-Link ( via C/Q = pin 4 )
IO-Link revision	1.1
Device profile	Identification and Diagnosis - I&D Firmware update
Process data	Input: 8 bit - Input signals: 2 bit - Diagnostic signals: 1 bit Output: 16 bit - Control signals: 6 bit - Control values: 6 bit
Vendor ID	1 (0x0001)
Device ID	985089 (0x0F0801)
Transfer rate	COM2 (38.4 kBit/s)
Min. cycle time	5 ms
SIO mode support	no
Compatible master port type	Class A , Class B
<b>Directive conformity</b>	
Electromagnetic compatibility	
Directive 2014/30/EU	DIN EN 61000-6-2 DIN EN 61000-6-3 DIN EN 61131-9
<b>Standard conformity</b>	
Degree of protection	DIN EN 60529
Pollution degree	DIN EN 61010-1
Communication interface	DIN EN 61131-9 / IO-Link V1.1.2
Shock resistance	IEC 60068-2-27
Vibration resistance	IEC 60068-2-6
<b>Ambient conditions</b>	
Ambient temperature	-30 ... 60 °C (-22 ... 140 °F)
Storage temperature	-40 ... 80 °C (-40 ... 176 °F)
Shock and impact resistance	50 g, 11 ms, half sine wave 5 g, 10 ... 500 Hz
Pollution degree	2
<b>Mechanical specifications</b>	
Degree of protection	IP65
Connection	M12 x 1 connector, 4-pin, A-coded
Mass	121 g
Dimensions	
Height	35.6 mm
Width	40 mm
Length	123.3 mm

## Connection



1 L+  
2 n.c.  
3 L-  
4 C/Q