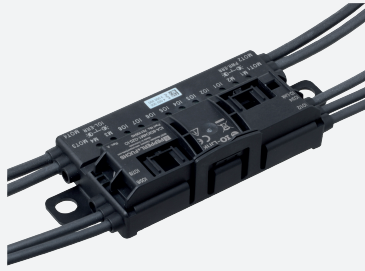


I/O hub IO-Link

ICA-16IO-G20-IO-P16



- 16 digital inputs/outputs can be configured
- Configuration and control via IO-Link
- IO-Link Class A
- LED for switching state and fault indication
- Supply from IO-Link
- IO-Link 1.1.3

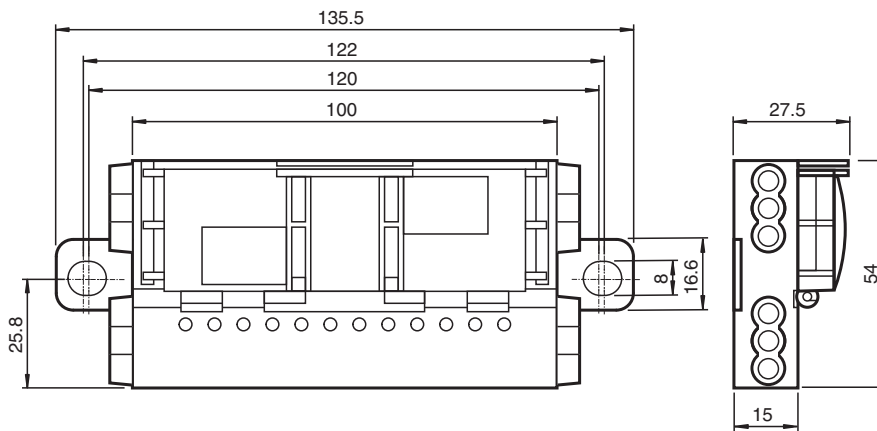
G20 IO-Link I/O Hub for 16 freely configurable digital inputs/outputs



Function

The ICA-16IO-G20-IO-P16 is an IO-Link field module with 16 freely configurable digital inputs/outputs. The compact housing can be mounted directly in support profiles or cable ducts. The module and the inputs and outputs are supplied with voltage via IO-Link. The inputs and outputs are connected via cable outlets with 4-pin M8 sockets. IO-Link is connected via a cable outlet with 4-pin M12 connector. The current switching state or an overload of the inputs or outputs is indicated via the IN or OUT LEDs.

Dimensions



Technical Data

General specifications	
UL File Number	E223772
MTBF	149 a
Indicators/operating means	
LED green	<--, -->: IO1..8 / IO9..16 bank indication
LED yellow/red	IO1 ... IO16: inputs/outputs status, IO-Link status
Electrical specifications	
Operating voltage	U_B 18 ... 30 V DC, PELV Current limitation of the supply max. 4 A
No-load supply current	I_0 ≤ 25 mA
Operating current	I_B max. 4 A
Interface	
Interface type	IO-Link

Release date: 2025-07-02 Date of issue: 2025-07-02 Filename: 70149090_eng.pdf

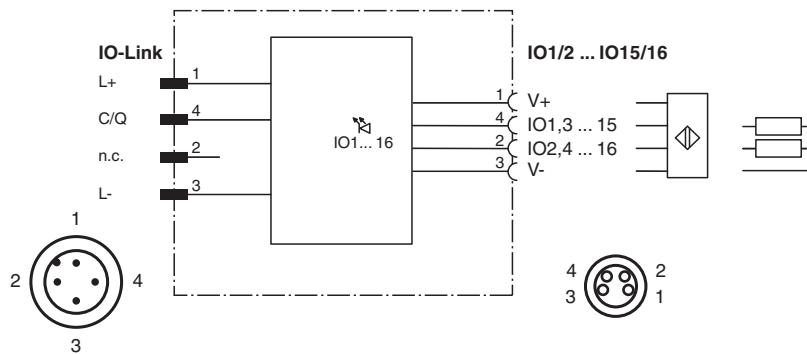
Technical Data

IO-Link revision	1.1
Device profile	Identification and Diagnosis - I&D Firmware update
Process data	Inputs 3 Byte - Input signals 16 Bit - diagnosis signals 5 Bit Outputs 2 Byte - Output signals 16 Bit
Vendor ID	1 (0x0001)
Device ID	985345 (0x0F0901)
Data transfer rate	COM3 (230.4 kbits/s)
Min. cycle time	1 ms
SIO mode support	no
Compatible master port type	Class A
Input	
Number/Type	16 Inputs for 3-wire sensors (PNP), DC (IO1 ... IO16)
Supply	from IO-Link
Current loading capacity	200 mA , overload and short-circuit protected
Input current	≤ 5 mA (limited internally)
Switching point	Type 3 according to IEC 61131-2
Output	
Number/Type	16 electronic outputs, PNP (IO1 ... IO16), overload-proof and short-circuit-proof
Supply	from IO-Link
Voltage	≥ (U _B - 1.5 V)
Current	200 mA per output
Directive conformity	
Electromagnetic compatibility	
Directive 2014/30/EU	EN 61326-1:2013 EN 55011:2016
Standard conformity	
Degree of protection	EN 60529:2000
Input	EN 61131-2:2007
Communication interface	IEC 61131-9:2013 / IO-Link V1.1.3
Emitted interference	EN 61000-6-4:2007
Noise immunity	EN 61000-6-2:2005, EN 61326-1:2006
Approvals and certificates	
UL approval	UL 61010-1, UL 61010-2-201 Load specification DC General Use / DC Pilot Duty Degree of protection not tested by UL; tested by Pepperl+Fuchs SE
Ambient conditions	
Ambient temperature	-30 ... 70 °C (-22 ... 158 °F)
Storage temperature	-30 ... 85 °C (-22 ... 185 °F)
Relative humidity	85 % non-condensing
Climatic conditions	For indoor use only
Altitude	≤ 5000 m above MSL
Shock and impact resistance	30 g, 11 ms in 6 spatial directions, 3 shocks 10 g, 16 ms in 6 spatial directions, 1000 shocks
Vibration resistance	0.35 mm / 5 g 5 ... 500 Hz
Pollution degree	2
Mechanical specifications	
Degree of protection	IP54 according to EN 60529

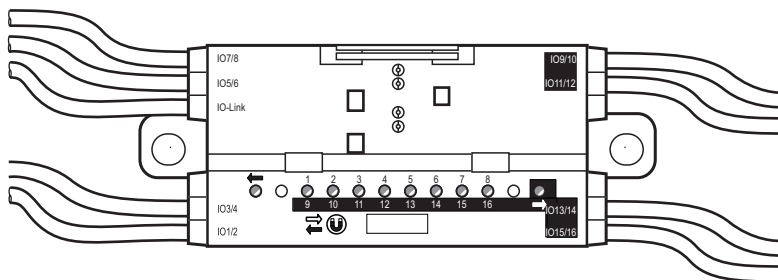
Technical Data

Connection	<p>IO-Link: M12 round plug connector in accordance with EN 61076-2-101, LM type (4-pin, connector contacts, screw-locking, A-coded) Female connector: LF type or similar IO: M8 round plug connector in accordance with EN 61076-2-104, LF type (4-pin, bushing contacts, screw-locking, A-coded) Mating connector: LM type or similar</p>
Mass	310 g
Dimensions	
Height	27.5 mm
Width	131.5 mm
Length	54 mm
Mounting	2 clips with Ø 8 mm drill hole The module must be secured to a solid, continuous surface using the two lugs
Cable length	1 m (IO-Link) 0.2 m (IO1/2, IO15/16), 0.3 m (IO3/4, IO13/14) 0.4 m (IO5/6, IO11/12); 0.5 m (IO7/8, IO9/10) max. 10 m

Connection Assignment



Indication



Release date: 2025-07-02 Date of issue: 2025-07-02 Filename: 70149090_eng.pdf