

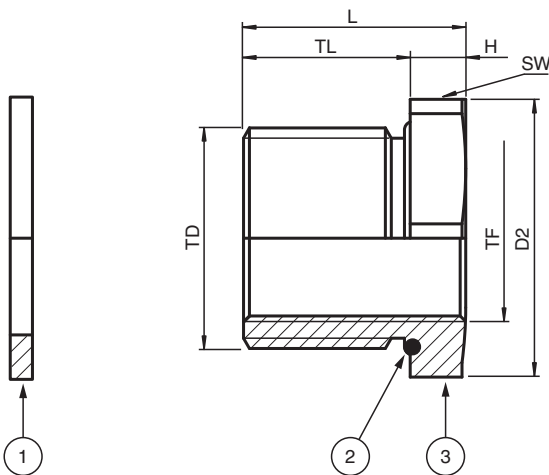
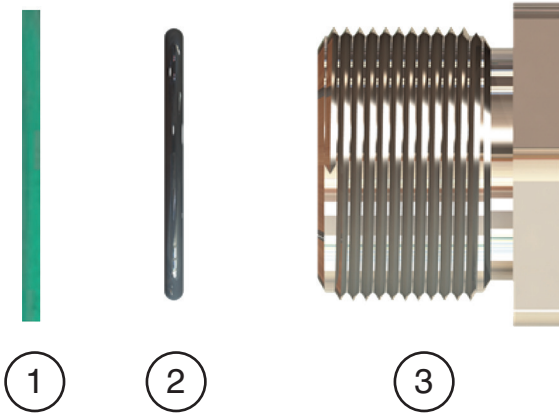
Adapter

AD.NPT3/4.NPT1/2.BN.X.15.K35

- Adapter male thread NPT to female thread metric
- Brass nickel-plated
- Thread NPT 3/4"
- Thread NPT 1/2"
- Ex db, Ex eb and Ex tb certified
- Suitable for operation in Zone 1, Zone 2, Zone 21 and Zone 22
- Packaging unit: 35 pieces, without accessories



Assembly



Assembly

Details see data table

Legend	
1	Washer gasket (accessory, metric threads only)
2	O-Ring (metric threads only)
3	Adapter
DI	Diameter internal hole
D2	Width across corners
H	Length outside enclosure
L	Total length
SW*	Width across flats
TD	Thread size
TF	Thread size female
TL	Thread length
TLF	Thread length female

Technical Data

Mechanical specifications

Thread type	NPT ANSI ASME B1.20.1
Thread size (TD)	NPT 3/4"
Thread type female	metric ISO pitch 1.5 mm
Thread size female (TF)	NPT 1/2"
Degree of protection	IP66 / IP68
Material	
Finish	inherent color silver
Washer gasket	aramid fibers bonded with NBR
Adapter	brass, nickel-plated
Mass	
Individual component	approx. 41 g
Packing unit	approx. 1.58 kg
Dimensions	
Width across corners (D2)	33 mm
Length outside enclosure (H)	4 mm
Width across flats (SW1)	30 mm
Thread length (TL)	15 mm
Thread length female (TLF)	19 mm
Total length (L)	19 mm
Tightening torque	
Nut torque at enclosure (SW1)	9 Nm

Ambient conditions

Ambient temperature	-60 ... 130 °C (-76 ... 266 °F) washer gasket -40 ... 80 °C (-40 ... 176 °F)
---------------------	---

Data for application in connection with hazardous areas

EU-type examination certificate	CESI 15 ATEX 029X
Marking	⊕ II 2 GD Ex db IIC Gb Ex eb IIC Gb Ex tb IIIC Db

International approvals

IECEx approval	IECEx CES 15.0006X
UKCA approval	CML 22 UKEX 1267X
CCoE approval	PESO A/P/HQ/KA/104/5579 (P420366)

Release date: 2024-07-31 Date of issue: 2024-07-31 Filename: 70149751_eng.pdf

Technical Data

CCC approval	2021312313000345
Conformity	
Degree of protection	EN 60529
General information	
Delivery quantity	35
Scope of delivery	Adapter Brief instructions (1 copy)
Supplementary information	EC-Type Examination Certificate, Statement of Conformity, Declaration of Conformity, Attestation of Conformity and instructions have to be observed where applicable. For information see www.pepperl-fuchs.com .