

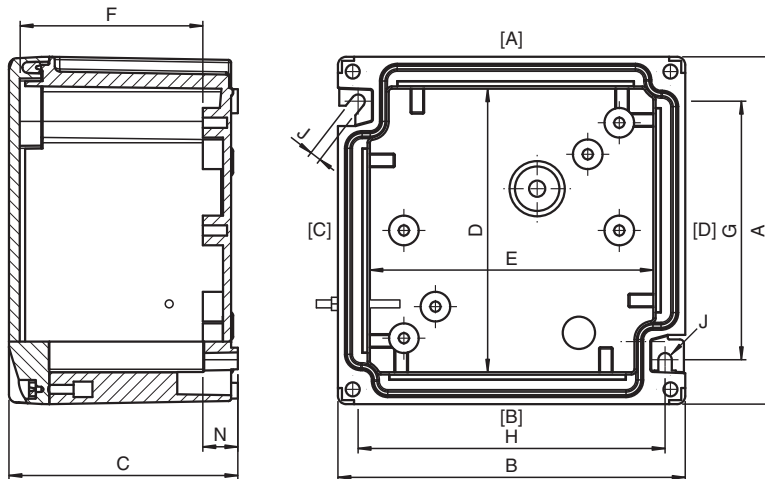
Junction Box Ex i, Glass-Fiber Reinforced Polyester (GRP)

GR.TJI.10.10.07.B-S0011

- Carbon loaded, antistatic glass-fiber reinforced polyester
- Installation in Zone 1, Zone 2, Zone 21 and Zone 22
- Ex ia and Ex tb certified
- 99 mm x 99 mm x 65 mm
- Modern design with high impact resistance
- Easy installation due to easily accessible mounting points
- Easy cover opening without damage due to multiple pry points
- Top face cable gland polyamide, 1x M16; bottom face cable gland polyamide, 2x M12
- Blue marking for use with Ex i circuits



Dimensions



Dimension values see data table.
Image and drawing are generic for this device type and may deviate from the specific variant.

Technical Data

Electrical specifications

Operating voltage 60 V AC / DC max.

Mechanical specifications

Enclosure cover fully detachable

Cover fixing

Screws M4 stainless steel combination Phillips and slotted screw

Number 4

Tightening torque 1.5 Nm

Cover seal foamed silicone

Degree of protection IP66

Cable entry thru-holes

Cable entry face A

M16 quantity 1

M16 series Cable Glands, Plastic

Release date: 2024-11-04 Date of issue: 2024-11-04 Filename: 70149864_eng.pdf

Technical Data

| | |
|--|--|
| M16 type | CG.PIDS1.M16S.* |
| M16 clamping range | 4 ... 8 mm |
| M20 quantity | |
| M20 series | |
| M20 type | |
| M20 clamping range | |
| Cable entry face B | |
| M12 quantity | 2 |
| M12 series | Cable Glands, Plastic |
| M12 type | CG.PIDS1.M12.* |
| M12 clamping range | 3 ... 6.5 mm |
| M20 quantity | |
| M20 series | |
| M20 type | |
| M20 clamping range | |
| Terminal assembly | |
| Rail orientation | horizontal |
| Number of horizontal rails | 1 |
| Usable length per horizontal rail | 47.5 mm |
| Terminal type | 6 x MUT 2.5 blue 2 x MUT 2.5 PE |
| Terminal capacity | 2.5 mm ² |
| Material | |
| Enclosure | carbon loaded, antistatic glass-fiber reinforced polyester (GRP) |
| Finish | inherent color black |
| Mass | approx. 0.35 kg |
| Dimensions | |
| External dimension (A) | 99 mm |
| External dimension (B) | 99 mm |
| External dimension (C) | 65 mm |
| Internal dimension (D) | 76 mm |
| Internal dimension (E) | 76 mm |
| Internal dimension (F) | 48 mm |
| Mounting holes distance (G) | 66 mm |
| Mounting holes distance (H) | 84 mm |
| Mounting holes diameter (J) | 5 mm |
| Thickness of mounting brackets (N) | 18 mm |
| Mounting | 2 screws |
| Ambient conditions | |
| Ambient temperature | -40 ... 60 °C (-40 ... 140 °F) |
| Data for application in connection with hazardous areas | |
| EU-type examination certificate | CML 17 ATEX 3255X |
| Marking | Ⓜ II 2 GD Ex ia IIC T* Gb Ex tb IIIC T** °C Db T6/T80 °C @ Ta +40 °C T5/T95 °C @ Ta +60 °C |
| International approvals | |
| IECEX approval | IECEX CML 17.0144X |
| UKCA approval | CML 21 UKEX 3896X |
| Further approvals | further on request |
| Conformity | |
| Degree of protection | EN60529 |
| CE marking | 0102 |

Release date: 2024-11-04 Date of issue: 2024-11-04 Filename: 70149864_eng.pdf

Technical Data

General information

Supplementary information

EC-Type Examination Certificate, Statement of Conformity, Declaration of Conformity, Attestation of Conformity and instructions have to be observed where applicable. For information see www.pepperl-fuchs.com.